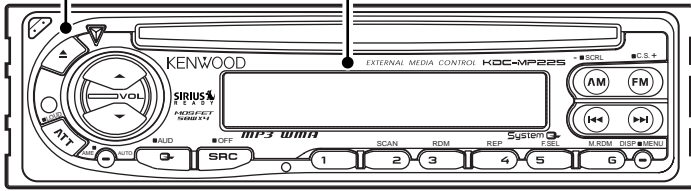


KDC-MP225 KDC-MP4026/G KDC-W4527/G/GY/Y KDC-W427Y SERVICE MANUAL

CD mechanism extension cord (24PIN) : W05-0934-00

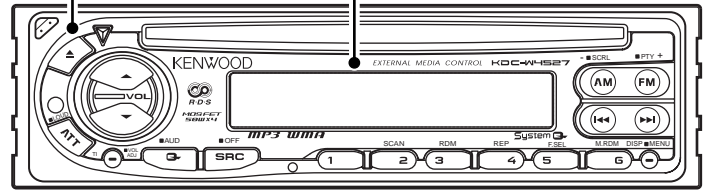
Panel Assy
KDC-MP225 (A64-3170-02)

Front glass
KDC-MP225 (B10-4464-01)



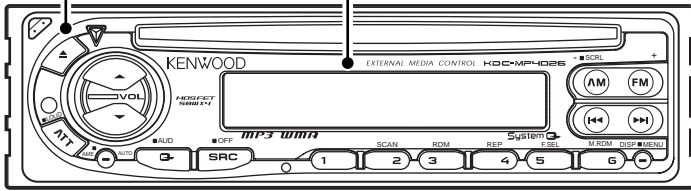
Panel Assy
KDC-W4527/Y (A64-3172-02)
KDC-W4527G/GY(A64-3173-02)

Front glass
KDC-W4527/Y (B10-4466-01)
KDC-W4527G/GY(B10-4467-01)



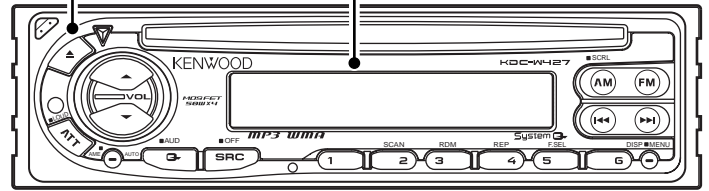
Panel Assy
KDC-MP4026 (A64-3174-02)
KDC-MP4026G(A64-3175-02)

Front glass
KDC-MP4026 (B10-4468-01)
KDC-MP4026G(B10-4469-01)

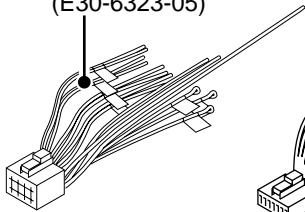


Panel Assy
KDC-W427 (A64-3336-02)

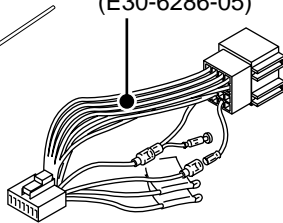
Front glass
KDC-W427 (B10-4555-01)



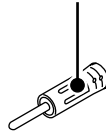
* DC cord
(E30-6322-05)
(E30-6323-05)



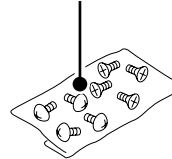
* DC cord
(E30-6132-05)
(E30-6286-05)



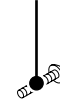
* Antenna adaptor
(T90-0523-05)



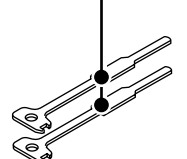
* Screw set
(N99-1719-05)



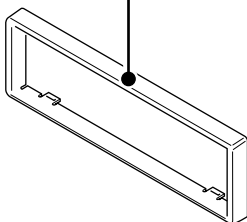
* Screw
(N84-4016-46)



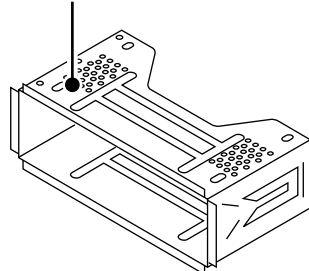
Lever
(D10-4589-04) x 2



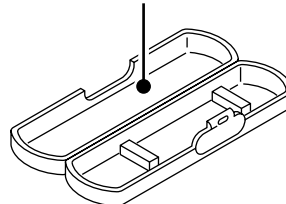
* Escutcheon
(B07-3001-02)
(B07-3098-02)



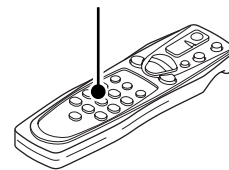
Mounting hardware Assy
(J21-9716-03)



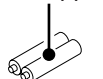
Plastic cabinet Assy
(A02-1486-13)



* Remote controller Assy
(A70-2040-05) : RC-505



* Not supplied



TDF PANEL INFORMATION

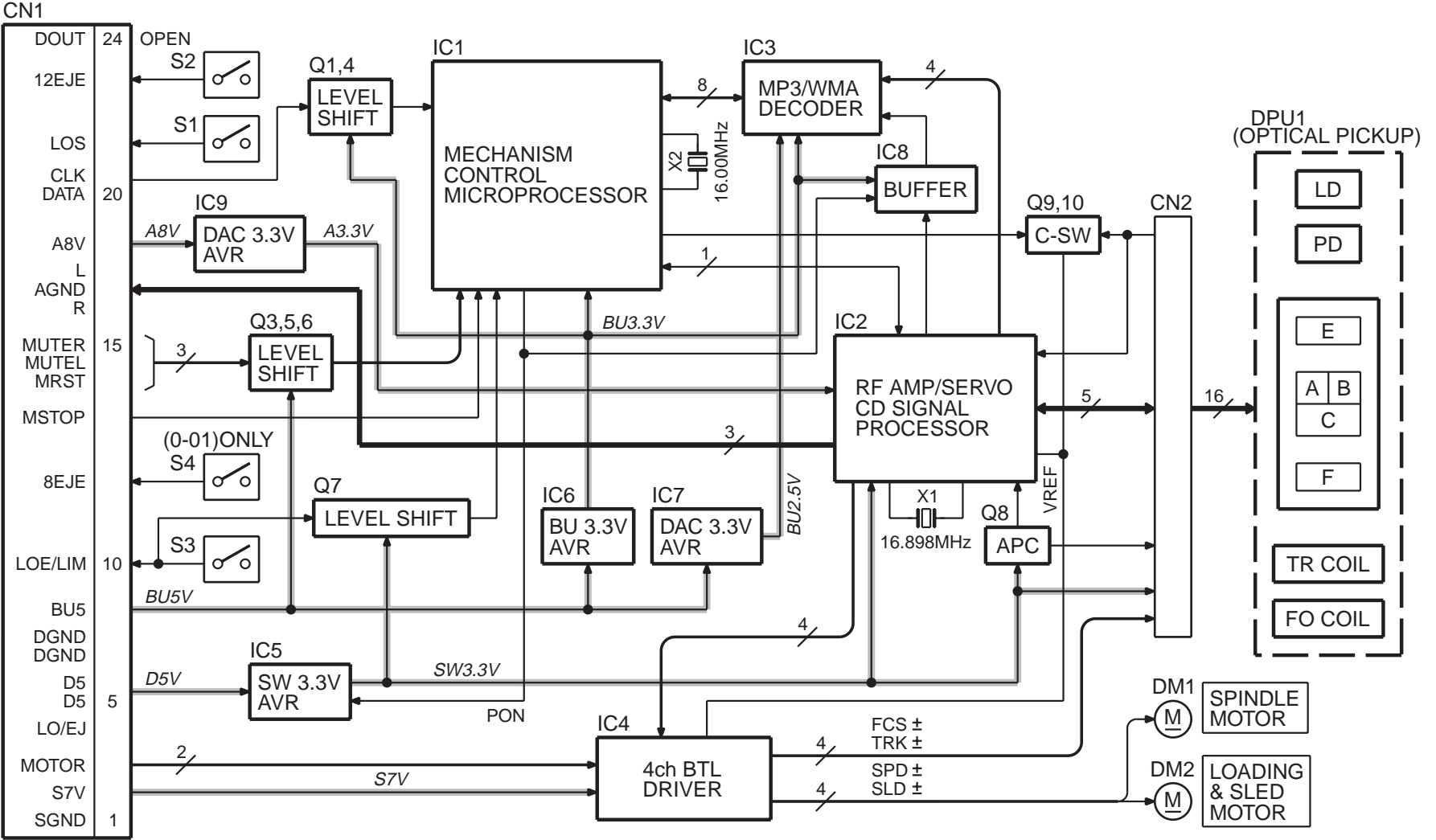
| MODEL | PARTS NO. | PANEL NAME |
|---------------|-------------|-------------|
| KDC-MP225 | Y33-1940-60 | TDF-42D |
| KDC-MP4026 | Y33-1940-67 | TDF-MP4026 |
| KDC-MP4026G | Y33-1940-63 | TDF-MP4026G |
| KDC-W4527/Y | Y33-1940-64 | TDF-W4527 |
| KDC-W4527G/GY | Y33-1940-65 | TDF-W4527G |
| KDC-W427Y | Y33-1940-66 | TDF-W427Y |

* Depends on model. Refer to the parts list.

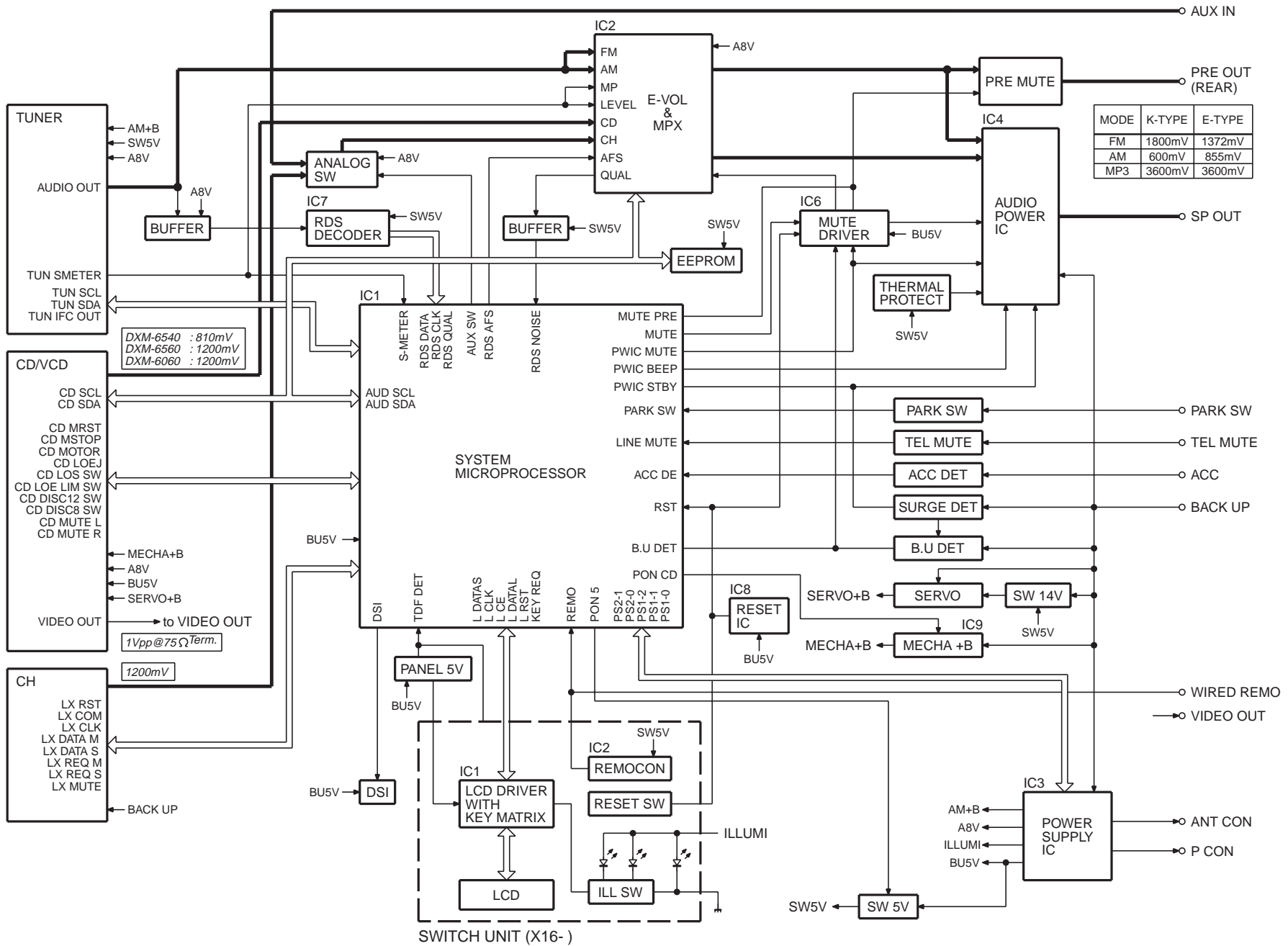


BLOCK DIAGRAM

CD PLAYER UNIT (X32-5500-00)



ELECTRIC UNIT (X25-)



BLOCK DIAGRAM

KDC-MP225, MP4026/G
KDC-W4527/G/GY/Y, W427Y

COMPONENTS DESCRIPTION

● SWITCH UNIT (X16-2640-xx/2642-xx/2652-xx)

| Ref. No. | Application / Function | Operation / Condition / Compatibility |
|----------|------------------------|---|
| IC1 | LCD driver | Drive for LCD unit |
| IC2 | Remote control IC | Receiving for the remote control unit |
| Q1 | KEY scan detector | key scan start at base gose "L". |
| Q2 | key illumination SW | Lights up for RED key illumination when base voltage level goes "H" |
| Q3 | key illumination SW | Lights up for GREEN key illumination when base voltage level goes "H" |

● ELECTRIC UNIT (X25-9980-xx/9982-xx/X34-3172-70)

| Ref. No. | Application / Function | Operation / Condition / Compatibility | | | | | | | | | | | | | | |
|----------|-----------------------------|---|-----|-----|----------|----------|----------|----------------|-------|-----------------------|-----|-----|----------|---------------------|-------|---------------------|
| IC1 | System microcomputer | Control for TUNER unit, CD mechanism, volume & tone, LCD driver and external CD changer unit | | | | | | | | | | | | | | |
| IC2 | Electronic volume & N.C.MPX | Control for source selector, volume & tone, and FM multiplex detector. | | | | | | | | | | | | | | |
| IC3 | Power supply IC | Power supply for the units (Bu5V, Audio8V, FM+B, AM+B, P-con and ANT-con) <table border="1" style="margin-left: auto; margin-right: auto;"> <tbody> <tr> <td>SW1</td> <td>OUT</td> </tr> <tr> <td>1.5~3.0V</td> <td>Audio ON</td> </tr> <tr> <td>3.5~5.0V</td> <td>Audio P-con ON</td> </tr> <tr> <td>7.0V~</td> <td>Audio P-con, P-ant ON</td> </tr> <tr> <td>SW2</td> <td>OUT</td> </tr> <tr> <td>2.0~3.0V</td> <td>Illumination, FM ON</td> </tr> <tr> <td>4.0V~</td> <td>Illumination, AM ON</td> </tr> </tbody> </table> | SW1 | OUT | 1.5~3.0V | Audio ON | 3.5~5.0V | Audio P-con ON | 7.0V~ | Audio P-con, P-ant ON | SW2 | OUT | 2.0~3.0V | Illumination, FM ON | 4.0V~ | Illumination, AM ON |
| SW1 | OUT | | | | | | | | | | | | | | | |
| 1.5~3.0V | Audio ON | | | | | | | | | | | | | | | |
| 3.5~5.0V | Audio P-con ON | | | | | | | | | | | | | | | |
| 7.0V~ | Audio P-con, P-ant ON | | | | | | | | | | | | | | | |
| SW2 | OUT | | | | | | | | | | | | | | | |
| 2.0~3.0V | Illumination, FM ON | | | | | | | | | | | | | | | |
| 4.0V~ | Illumination, AM ON | | | | | | | | | | | | | | | |
| IC4 | Audio power amp IC | Amplifier for audio signal to derive for 4channel speakers (50W maximum for each channel) | | | | | | | | | | | | | | |
| IC6 | Muting control IC | Control for timing for mute | | | | | | | | | | | | | | |
| IC7 | RDS decoder | Decode for RDS signal | | | | | | | | | | | | | | |
| IC8 | Reset IC | When detection voltage goes below 3.5V or less Reset IC output change to "L" signal | | | | | | | | | | | | | | |
| IC9 | Switching regulator | Power supply for CD mecanism unit | | | | | | | | | | | | | | |
| Q1 | Serge detection | When backup voltage become more than 24V output is "L" (momentary power down) / When backup voltage become less than 24V output is "H" | | | | | | | | | | | | | | |
| Q2 | Backup detection | When BU voltage supplied output is "L" / When BU voltage not supplied or momentary power down is detected output is "H" | | | | | | | | | | | | | | |
| Q3 | ACC detection | When ACC voltage supplied output is "L" | | | | | | | | | | | | | | |
| Q4 | SW 5V | When base voltage is "L" Q4 is ON | | | | | | | | | | | | | | |
| Q21,24 | AVR | Servo regulator | | | | | | | | | | | | | | |
| Q22 | SW | Servo SW | | | | | | | | | | | | | | |
| Q23 | IC control | Power supply IC controller | | | | | | | | | | | | | | |
| Q41 | SW | Switching regulator control SW | | | | | | | | | | | | | | |
| Q101 | Buffer amp | Composite signal buffer | | | | | | | | | | | | | | |
| Q151 | DSI driver | When base voltage level is "L" DSI LED is light up / When base voltage level is "H" DSI LED turns off / When panel assy is pull off, cut off the supply to panel 5V AVR. | | | | | | | | | | | | | | |
| Q201 | Buffer amp | Noise buffer amp | | | | | | | | | | | | | | |

COMPONENTS DESCRIPTION

| Ref. No. | Application / Function | Operation / Condition / Compatibility |
|----------|-------------------------------------|---|
| Q252 | For surge measure of audio power IC | When base voltage to "L", for control to power IC function (STAND BY) |
| Q350 | Pre & NF mute SW | When base voltage to "L", drive to pre & NF mute SW (Q351) |
| Q351 | Pre mute SW | When base voltage to "H", muting to the pre Lch or NF Lch line |
| Q352 | Pre mute SW | When base voltage to "H", muting to the pre Rch or NF Rch line |
| Q401 | DSI illumination SW | When base voltage to "H", DSI illumination is light up. |

● CD PLAYER UNIT (X32-5500-00)

| Ref. No. | Application / Function | Operation / Condition / Compatibility |
|----------|-------------------------------------|--|
| IC1 | RF amplifier adapted for CD-RW | Generation of RF signal based on the signals from the APC circuit and pickup, and generation of servo error (focusing error and tracking error) signals. Detection of dropout, anti-shock, track crossing and off-track conditions, included gain control function during CD-RW. |
| IC2 | CD signal processor built-in MI-COM | Focusing, tracking, sled and spindle servo processing. Automatic adjustment (focusing, tracking, gain, offset and balance) operations. Digital signal processing (DSP, PLL, sub-codes, CIRC error correction, audio data Interpolation) operations, and Microcomputer function. |
| IC3 | MP3/WMA decoder | |
| IC4 | 4CH BTL driver | Focusing coil, tracking coil, spindle motor and sled motor driver, disc loading and eject operation. |
| IC5 | AVR | For SW3.3V AVR |
| IC6 | AVR | For BU3.3V AVR |
| IC7 | AVR | For BU2.5V AVR |
| IC8 | Selector | Serial audio signal selector IC |
| IC9 | AVR | For IC2 (DAC section) 3.3V AVR |
| Q1,3~7 | Level shift | 3.3V → 5.0V |
| Q8 | APC | LD power control |
| Q9,10 | SW | Delay to sub beam line (antecedence beam) |
| D2 | Protection diode | IC2 protection (for reset line) |
| D3 | Protection diode | Laser diode protection |

MICROCOMPUTER'S TERMINAL DESCRIPTION

● SYSTEM MICROPROCESSOR : 784225GC231A (X25 : IC1)

| Pin No. | Pin Name | I/O | Description / Processing Operation |
|---------|-------------|-----|--|
| 1 | TUN SMETER | I | S meter detection input terminal |
| 2 | RDS NOISE | I | FM noise detection input terminal |
| 3 | LINE MUTE | I | Phone Muting signal input terminal (More than 2.5V : NAVI mute, Less than 1.0V : TEL mute) |
| 4 | AVSS | - | GND |
| 5 | L RST | O | Reset signal output (for LCD driver) H : Light on display, key scan, L : Light out on display, key reset |
| 6 | L CE | O | CE output for LCD driver IC |
| 7 | AVREF1 | - | BU5.0V |
| 8 | L DATAL | I | DATA input terminal from LCD derive IC |
| 9 | L DATAS | O | DATA output terminal to LCD driver IC |
| 10 | L CLK | O | CLK output terminal to LCD driver IC |
| 11 | TDF DET | I | Panel assy detect terminal H : Panel assy come off |
| 12 | AUX ON | O | Select for AUX input signal H : AUX, L : Other |
| 13 | RDS QUAL | I | RDS decoder QUAL signal input terminal |
| 14 | RDS DATA | I | RDS decoder Data signal input terminal |
| 15 | PWIC BEEP | O | Beep audio signal output terminal |
| 16 | LX DATA S | I | DATA signal input from EXT. unit |
| 17 | LX DATA M | O | DATA signal output to EXT. unit |
| 18 | LX CLK | I/O | CLK signal input/output to EXT. unit |
| 19 | TUN SCL | O | I2C CLK signal output terminal (for front-end) |
| 20 | TUN SDA | I/O | I2C DATA signal input/output terminal (for front-end) |
| 21 | TUN IFC OUT | I | IFC signal input terminal H : Station detect, L : No detect |
| 22 | RDS AFS | O | Time constant select terminal (for noise detect) H : Receiving, L : FM seek, AF search |
| 23 | CD SDA | I/O | I2C DATA output terminal (for CD mechanism, electric VR) |
| 24 | AUD SDA | O | CLK output terminal (for CD mechanism, electric VR) |
| 25 | NC | - | NC |
| 26 | LX RST | O | Reset signal output to EXT. unit |
| 27 | LX CON | O | Control signal output to EXT. unit H: ON L: OFF |
| 28 | LX MUTE | I | Request signal input terminal from EXT. unit L : Mute ON |
| 29 | LX REQ M | O | DATA signal output to EXT. unit |
| 30 | PWIC SVR | O | SVR control for Audio power IC |
| 31 | PWIC STBY | O | STBY control for Audio power IC H : Power IC ON |
| 32 | PWIC MUTE | O | Muting control for Audio power IC |
| 33 | VSS1 | - | GND |
| 34 | ACC DET | I | ACC detection input terminal L : ACC detect |
| 35 | RESET2 | O | Reset output terminal L : Active |
| 36 | MUTE | O | Muting signal output terminal |
| 37 | BU DET | I | BU detect input terminal L : BU detect |
| 38 | PARK SW | I | Packing condition detect terminal H : OFF, L : ON (PARKING) |
| 39 | PS2 1 | O | Power supply IC control terminal |

MICROCOMPUTER'S TERMINAL DESCRIPTION

| Pin No. | Pin Name | I/O | Description / Processing Operation |
|---------|---------------|-----|---|
| 40 | PS2 0 | O | Power supply IC control terminal |
| 41 | PS1 0 | O | Power supply IC control terminal |
| 42 | PS1 1 | O | Power supply IC control terminal |
| 43 | PS1 2 | O | Power supply IC control terminal |
| 44 | PON 5 | O | SW5V/SW14V control output terminal Hi-Z : OFF, L : ON |
| 45 | NC | - | NC |
| 46 | PON CD | O | MP3 power supply control terminal |
| 47 | CD DISC12 SW | I | 12cm CD disc eject SW detection input terminal L : 12cm disc |
| 48 | CD MUTE R | I | Request for muting signal from CD mechanism L : Mute request |
| 49 | NC | - | NC |
| 50 | CE MRST | O | Reset signal output to CD mechanism L : Active |
| 51 | CD DISC8 SW | I | 8cm CD disc eject SW detection input terminal (Not used) |
| 52 | CD LOS SW | I | Loading start SW detection input terminal L : Loading start |
| 53 | CD MUTE L | I | Request for muting signal from CD mechanism L : Mute request |
| 54 | NC | - | NC |
| 55 | CD MSTOP | O | Request signal (Mechanism is STOP) output to CD mechanism L : Active |
| 56 | CD LOE LIM SW | I | Down SW detection from CD mechanism |
| 57 | CD LOEJ | I/O | CD mechanism loading / eject control terminal H : Eject, L : Loading |
| 58 | CD MOTOR | O | CD mechanism motor loading control terminal H : Loading, Eject, Brake, L : Play |
| 59 | DSI | O | Disc guide illumination control terminal H : DSI ON |
| 60 | RESET | I | Reset input terminal L : Active |
| 61 | NC | - | NC |
| 62 | KEY REQ | I | Request for communication to slave unit L : Key input mode |
| 63 | RDS CLK | I | RDS decoder CLK input terminal |
| 64 | LX REQ S | I | DATA signal input from EXT. unit |
| 65 | REMO | I | Remote control signal input terminal |
| 66 | NC | - | NC |
| 67 | VSS0 | - | GND |
| 68 | VDD1 | - | BU5.0V |
| 69 | X2 | - | Main clock input terminal (10MHz) |
| 70 | X1 | - | Main clock input terminal (10MHz) |
| 71 | TEST | - | GND |
| 72 | XT2 | - | Sub clock input terminal (32.768kHz) |
| 73 | XT1 | - | Sub clock input terminal (32.768kHz) |
| 74 | VDD0 | - | BU5.0V |
| 75 | AVDD | - | BU5.0V |
| 76~78 | TYPE0~2 | I | Destination input terminal DXM6540 (SEL0 : Lo, SEL1 : Lo) |
| 79,80 | TUN TYPE0,1 | I | Electric volume condition setting terminal |

MICROCOMPUTER'S TERMINAL DESCRIPTION

● CD SIGNAL MICROPROCESSOR : UPD63712GC (X32 : IC2)

| Pin No. | Pin Name | I/O | Description / Processing Operation |
|---------|---------------------|-----|--|
| 1 | VREFL | I | Reference voltage input terminal |
| 2 | AVSS | - | GND for ADC |
| 3 | AVCC | - | Power supply for ADC (BU3.3V) |
| 4 | NC | O | NC (OPEN) |
| 5 | $\overline{20RST}$ | O | Reset control output terminal (for decoder) L : RESET, H : NORMAL |
| 6 | 20ACK | I | Acknowledge signal input terminal (for decoder) |
| 7 | 20STBY | O | Standby control (for decoder) H : STAND BY, L : NORMAL |
| 8,9 | NC | O | NC (OPEN) |
| 10 | 20INT | I | Interrupt signal input terminal (for decoder) |
| 11 | FOGUP | I | Interrupt for focus gain up control signal H : Focus gain UP, L : NORMAL |
| 12 | LZM | I | 0 bit muting detect (Lch) L : MUTE OFF, H : MUTE ON |
| 13 | RZM | I | 0 bit muting detect (Rch) L : MUTE OFF, H : MUTE ON |
| 14,15 | NC | O | NC |
| 16 | $\overline{20CS}$ | O | Chip select signal output terminal (for decoder) |
| 17 | $\overline{20LP}$ | O | Latch pulses signal output terminal (for decoder) |
| 18 | 20TXD0 | I/O | Serial data signal output terminal (for decoder) |
| 19 | 20RXD0 | I | Serial data signal input terminal (for decoder) |
| 20 | 20SCLK0 | O | Serial data clock output terminal (for decoder) |
| 21 | DSPTXD1 | O | Serial data signal output terminal (for DSP) |
| 22 | DSPRXD1 | I | Serial data signal input terminal (for DSP) |
| 23 | DSPSCLK1 | O | Serial data clock output terminal (for DSP) |
| 24 | AM0 | I | Select for ROM mode H : NORMAL, L : External ROM mode |
| 25 | DVCC | - | BU3.3V |
| 26 | X2 | O | Oscillator (16MHz) |
| 27 | DVSS | - | GND |
| 28 | X1 | I | Oscillator (16MHz) |
| 29 | AM1 | I | BU3.3V |
| 30 | \overline{RESET} | I | Reset terminal L : RESET, H : NORMAL |
| 31,32 | NC | O | NC |
| 33,34 | EMU0,1 | O | NC |
| 35 | \overline{DSPSTB} | O | Data strobe signal output terminal |
| 36 | DSPA0 | O | Command, parameter select signal H : Parameter, L : Command |
| 37 | \overline{DSPRST} | O | Reset control output terminal (for DSP) |
| 38 | DSPINT | I | Interrupt signal input terminal (for DSP) H : Interrupt |
| 39 | /DAC RESET | O | Reset signal output terminal (for DSP) L : RESET, H : NORMAL |
| 40 | SEARCH | O | Search condition output terminal H : Search, L : NORMAL |
| 41 | LOE/LIM_SW | I | SLT SW detect input terminal H : Inside |
| 42~45 | NC | O | NC (OPEN) |
| 46 | PONE5 | O | +5V AVR control terminal (for VIDEO) H : Power ON |
| 47 | PONE2.5 | O | +2.5V AVR control terminal (for VIDEO) H : Power ON |

MICROCOMPUTER'S TERMINAL DESCRIPTION

| Pin No. | Pin Name | I/O | Description / Processing Operation |
|---------|----------------------------|-----|--|
| 48,49 | NC | O | NC (OPEN) |
| 50 | FLAGIN | I | C2 error detect terminal L : Correction OK, H : Correction NG |
| 51-60 | NC | O | NC (OPEN) |
| 61 | /DAC PD | O | Reset control output terminal (for DAC) L : RESET, H : NORMAL |
| 62 | DVSS | - | GND |
| 63 | $\overline{\text{NMI}}$ | I | Request for non maskable interrupt signal input terminal |
| 64 | DVCC | - | +VCC |
| 65 | DAC MUTE | O | Muting control output terminal (for DAC) H : MUTE, L : MUTE OFF |
| 66 | DAC PON | O | Audio power supply (for DXM-6550) H : POWER ON |
| 67 | PONA5 | O | +5V Audio power supply (for DXM-6550) H : POWER ON |
| 68 | $\overline{\text{ESRST}}$ | O | Reset signal output terminal (for ES3890) L : RESET, H : NORMAL |
| 69 | VMUTE | O | Video mute control terminal H : MUTE ON, L : MUTE OFF |
| 70 | NC | O | NC (OPEN) |
| 71 | SELINT | O | Video/Audio select output terminal H : NORMAL, L : Interrupt |
| 72 | ASEL0 | O | Audio signal output select control terminal 1 00 : STEREO, 01 : Lch |
| 73 | ASEL1 | O | Audio signal output select control terminal 1 10 : Rch, 11 : Not function |
| 74 | $\overline{\text{NT/PAL}}$ | O | NTSC/PAL select terminal L : NTSC, H : PAL |
| 75 | DATASEL | O | 20F/ES3890 output select H : 20F, L : ES3890 |
| 76,77 | NC | O | NC (OPEN) |
| 78 | NC (BOOT) | I | Flash memory writing terminal L : Writing, H : NORMAL |
| 79,80 | NC | O | NC (OPEN) |
| 81 | POND3.3 | O | D3.3V power ON control terminal H : POWER ON |
| 82 | $\overline{\text{MUTEL}}$ | O | Audio muting control terminal (Lch) |
| 83 | $\overline{\text{MUTER}}$ | O | Audio muting control terminal (Rch) |
| 84 | SDA | I/O | I2C data (for system microprocessor) |
| 85 | SCL | I/O | I2C clock (for system microprocessor) |
| 86 | MSTOP | I | Interrupt signal for stand-by mode L : STOP, H : STOP cancellation |
| 87 | NC | O | NC |
| 88 | $\overline{\text{DMUTE}}$ | O | Driver muting control L : MUTE ON, H : MUTE OFF |
| 89 | DVCC | - | +VCC |
| 90 | NC | O | NC (OPEN) |
| 91 | DVSS | - | GND |
| 92,93 | NC | I | NC |
| 94 | MSEL | I | Memory capacity select input terminal H : Capacity Down, L : Capacity UP |
| 95 | VCDSEL | I | NC |
| 96 | ASEL | I | Audio signal output polarity selector H : Reversal output, L : Noninversion output |
| 97 | CHSEL | I | Changer detect input terminal H : Changer, L : Normal |
| 98 | SEL0 | I | Destination input terminal DXM6540 (SEL0 : Lo, SEL1 : Lo) |
| 99 | SEL1 | I | Destination input terminal DXM6540 (SEL0 : Lo, SEL1 : Lo) |
| 100 | VREFH | I | ADC reference power supply (BU3.3V) |

TEST MODE

1. How to enter test mode

While holding the FM key and PRESET 6 keys, reset the unit.

All display segments light up when the test mode is entered.

2. How to exit from test mode

Reset the unit.

Turning ACC off, power off, momentary power down or panel detaching does not terminate the test mode.

3. Initial status in the test mode

- Sources : ALL OFF (STAND BY)
- Display : All segments were lit.
- Volume : -10dB (displayed as "30")
- Loudness : OFF
- CRSC : OFF regardless of the presence of switching function.
- Aux : ON

4. TUNER function

• Forced switching of K3I

Each press of the Preset 6 key in Tuner mode should switch K3I from AUTO→Forced Wide→Forced Middle→Forced Narrow→AUTO. The initial status is AUTO and the display shows these modes as follows.

- AUTO : A
- Forced Wide : M
- Forced Middle : M
- Forced Narrow : N

• RDS check

PCON is power off when RDS data ("RDS test") received for TUNER mode.

5. CD function

• Test mode specifications of the CD receiver

- Each press of the Track Up key jumps to the following track numbers :
No. 9→No. 15→No. 10→No. 11→No. 12→No. 13→No. 22→No. 14→No. 9 (The cycle restarts from here.)
- Each press of the Track Down key jumps to the previous track number to the track being played.
- When the number of total tracks of disc is nine or less, unit playback from a track 1.
- When the media to CD-DA, unit playback from track No. 28 by key operation of preset 1 key.

6. AUDIO function

• Audio-related specifications

- A short press of the Q key initiates the audio adjustment mode.
- Pressing the OPEN/CLOSE key on the remote controller initiates the audio adjustment mode.
- Continuous holding of a remote control key is inhibited.
- Bass, Middle and Treble are adjusted in 3 steps of -8 / 0 / +8 with the Track Up/down keys (default is 0).
- Balance is adjusted in 3 steps of Left L15 / 0 / R15 Max with the Track Up/down keys (default is 0).
- Loudness : OFF

7. MENU function

• Menu-related specifications

- A short press of the PLAY/PAUSE key initiates the Menu mode.
- Pressing the DNPP key on the remote initiates the Menu mode.
- Continuous holding of a remote control key is inhibited.

8. OTHER

• Special display when the display is all on

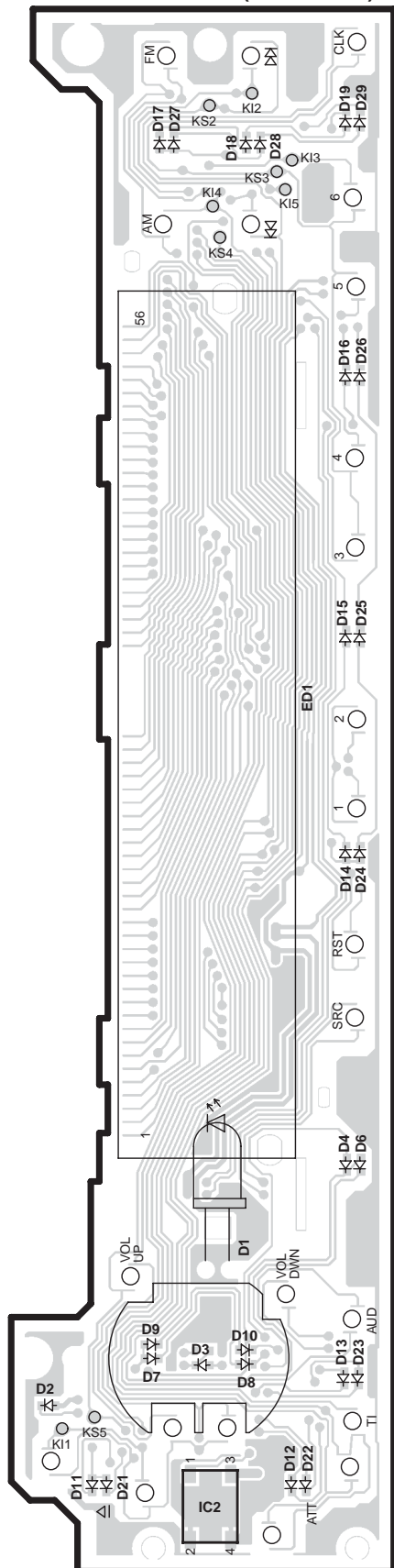
Pressing the Preset keys while the power is ALL OFF displays the following information.

| | |
|------------|---|
| [PRESET 1] | Version display (Month/Day/Hour/Minute) |
| [PRESET 2] | ALL segment light up for FL display |
| [PRESET 3] | Short press : Display CD operation time. Long press/hold : Clear CD operation time |
| [PRESET 5] | Short press : Display CD ejection count. Long press/hold : Clear CD ejection count. |
| [FM] | ROM correction version. If not mounting ROM correction chip set display shows ROM No____ |

PC BOARD (COMPONENT SIDE VIEW)

SWITCH UNIT

X16-264x-xx/2652-xx (J74-1561-02)



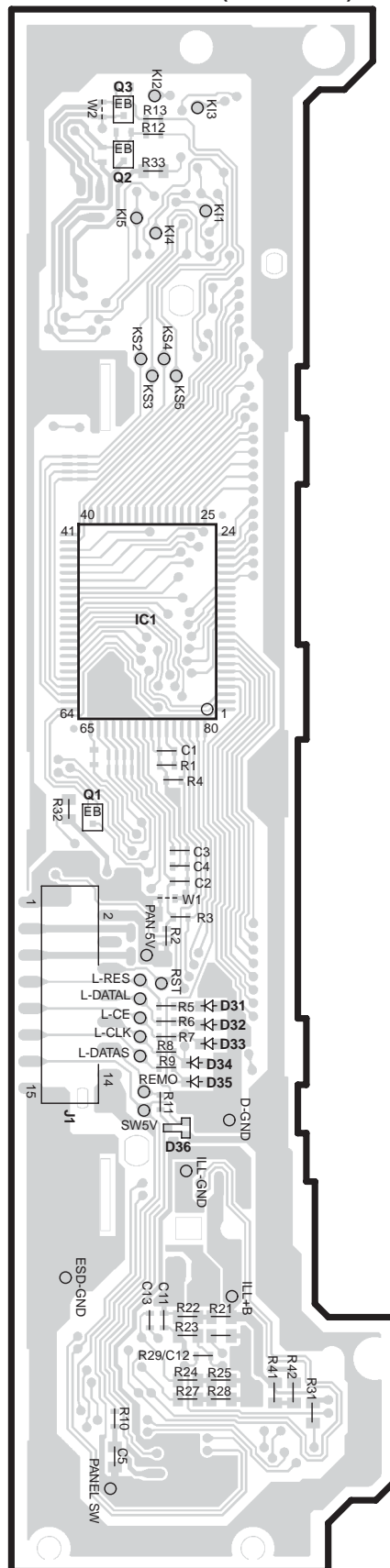
X16-264x-xx/2652-xx

| Ref. No. | Address |
|----------|---------|
| IC2 | 7A |

(FOIL SIDE VIEW)

SWITCH UNIT

X16-264x-xx/2652-xx (J74-1561-02)



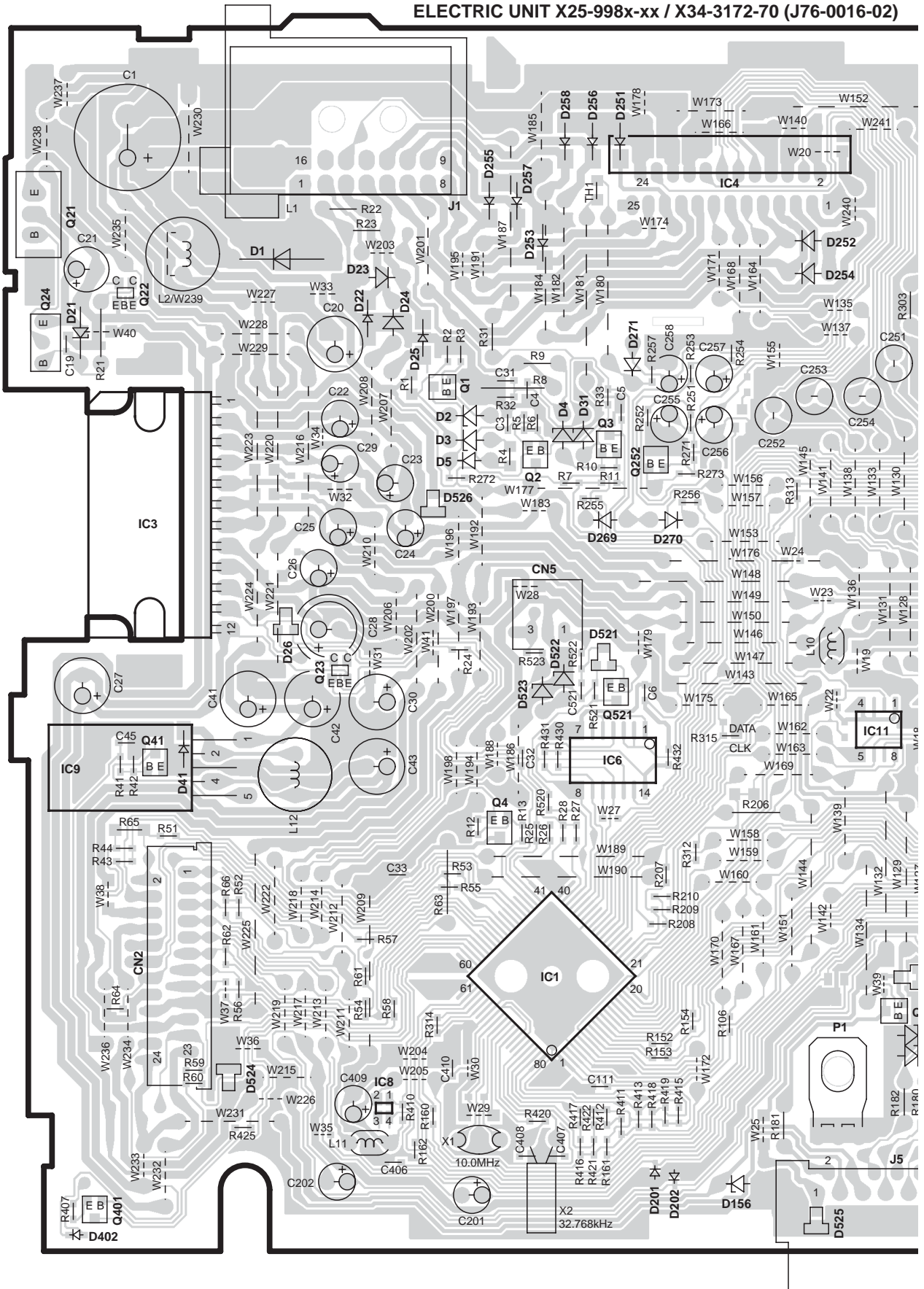
X16-264x-xx/2652-xx

| Ref. No. | Address |
|----------|---------|
| IC1 | 4C |
| Q1 | 4C |
| Q2 | 2C |
| Q3 | 2C |

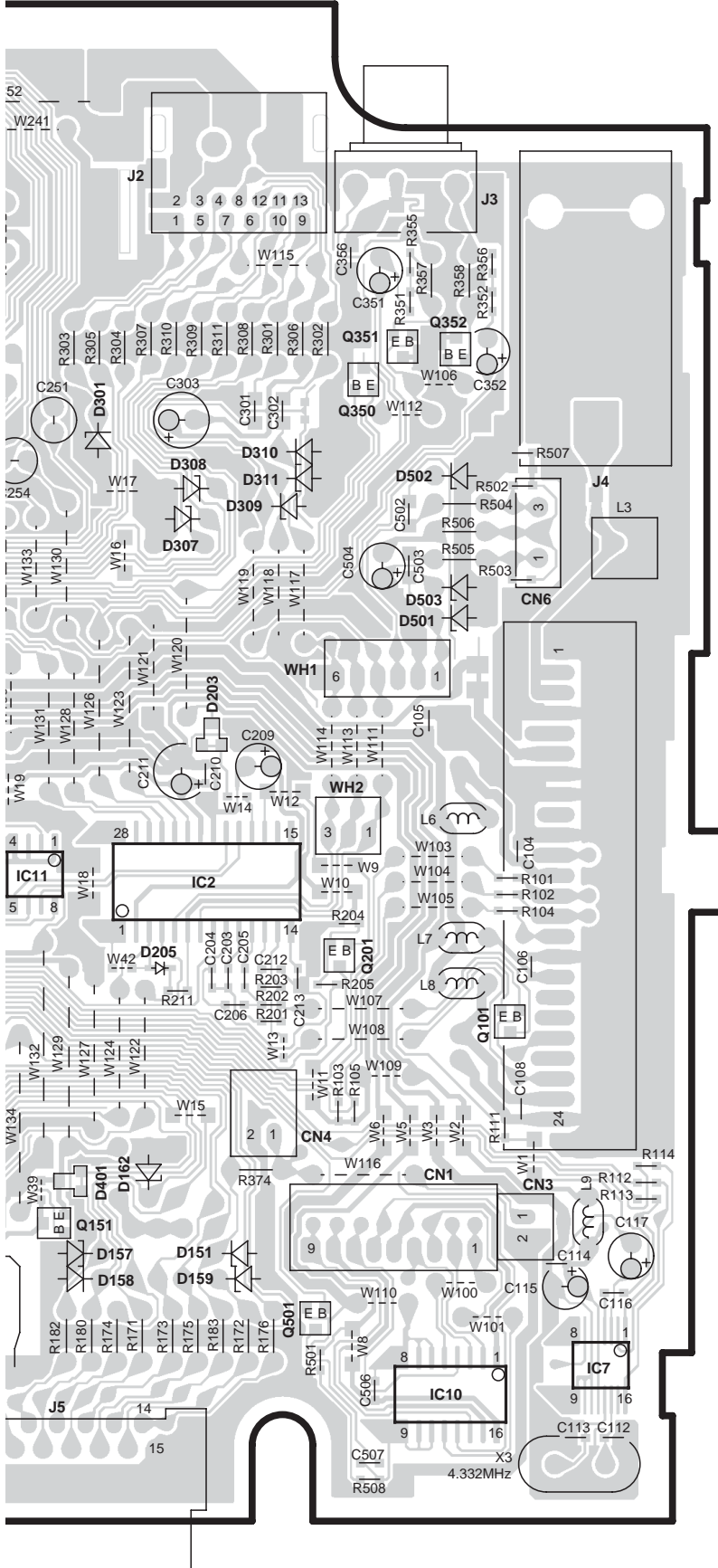
Refer to the schematic diagram for the values of resistors and capacitors.

PC BOARD (FOIL SIDE VIEW)

ELECTRIC UNIT X25-998x-xx / X34-3172-70 (J76-0016-02)



6-02)



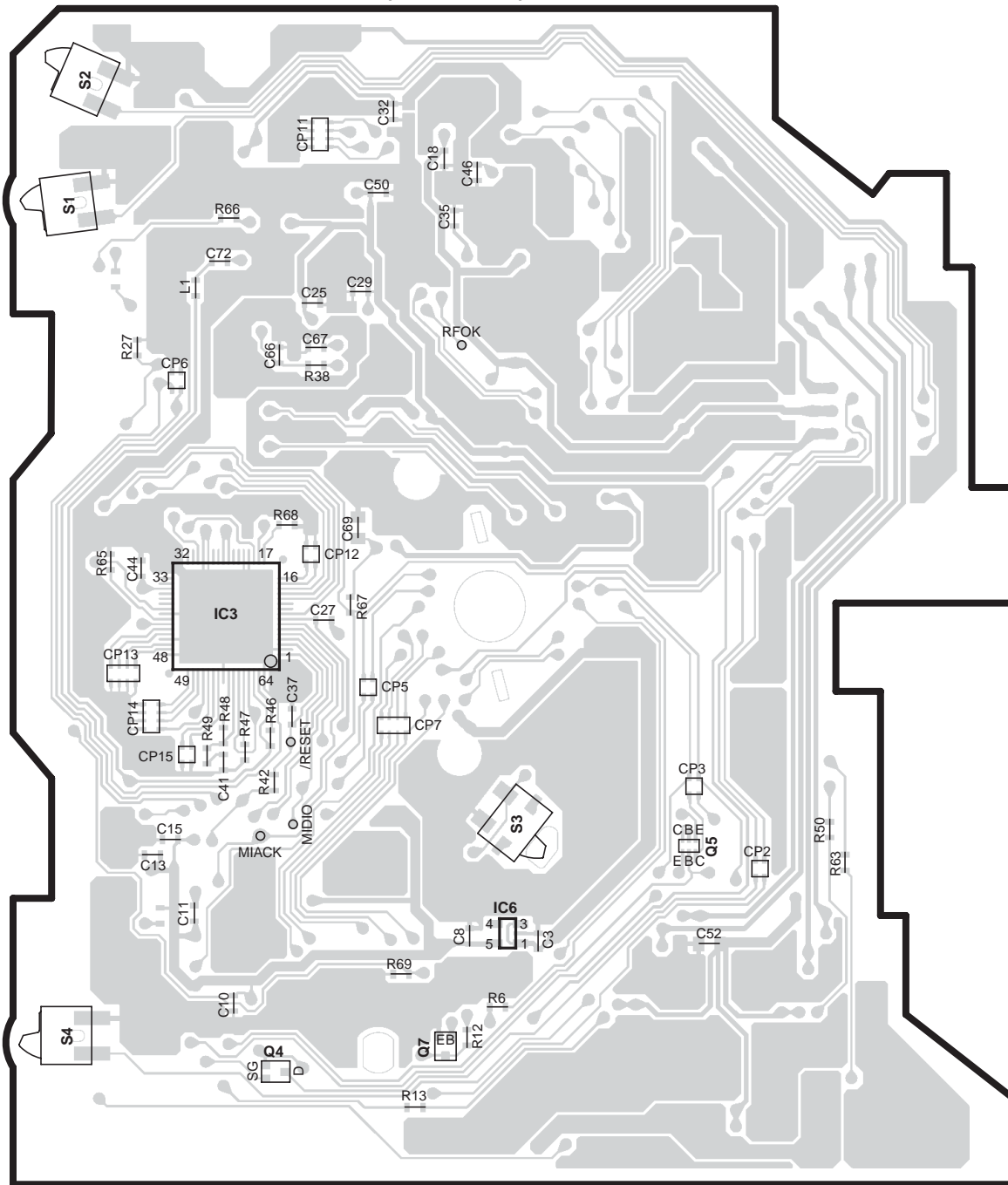
X25-998x-xx
X34-3172-70

| Ref. No. | Address |
|----------|---------|
| IC1 | 6I |
| IC2 | 5K |
| IC3 | 4G |
| IC4 | 2J |
| IC6 | 5I |
| IC7 | 6M |
| IC8 | 6H |
| IC9 | 5G |
| Q1 | 3H |
| Q2 | 3I |
| Q3 | 3I |
| Q4 | 5I |
| Q21 | 2G |
| Q22 | 3G |
| Q23 | 4H |
| Q24 | 3F |
| Q41 | 5G |
| Q101 | 5L |
| Q151 | 6K |
| Q201 | 5L |
| Q252 | 3I |
| Q350 | 3L |
| Q351 | 3L |
| Q352 | 3L |
| Q401 | 7G |

Refer to the schematic diagram for the values of resistors and capacitors.

PC BOARD (COMPONENT SIDE VIEW)

CD PLAYER UNIT X32-5500-00 (J74-1552-12)



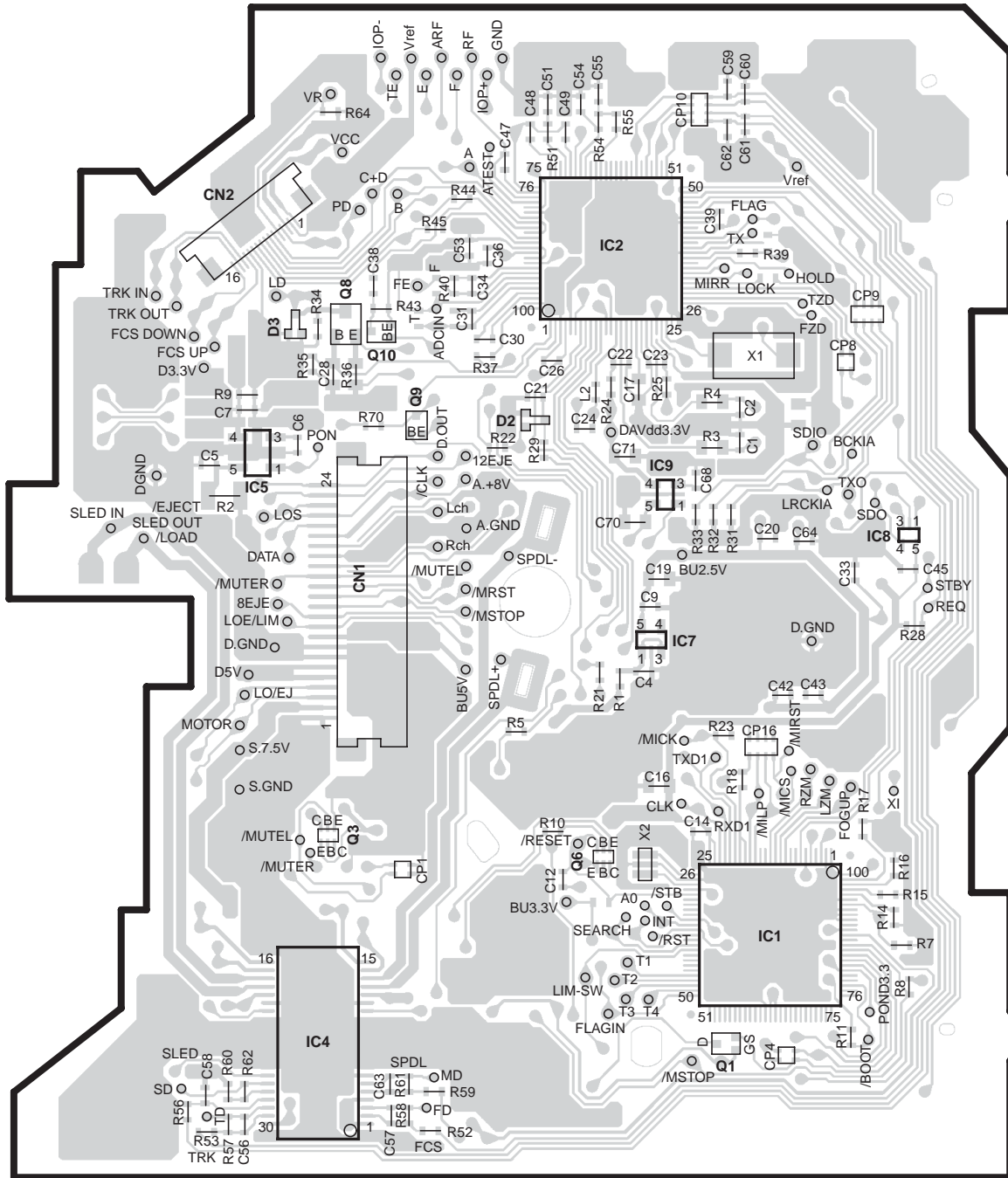
X32-5500-00

| Ref. No. | Address |
|----------|---------|
| IC3 | 4Q |
| IC6 | 5R |
| Q4 | 5Q |
| Q5 | 5S |
| Q7 | 5R |

Refer to the schematic diagram for the values of resistors and capacitors.

PC BOARD (FOIL SIDE VIEW)

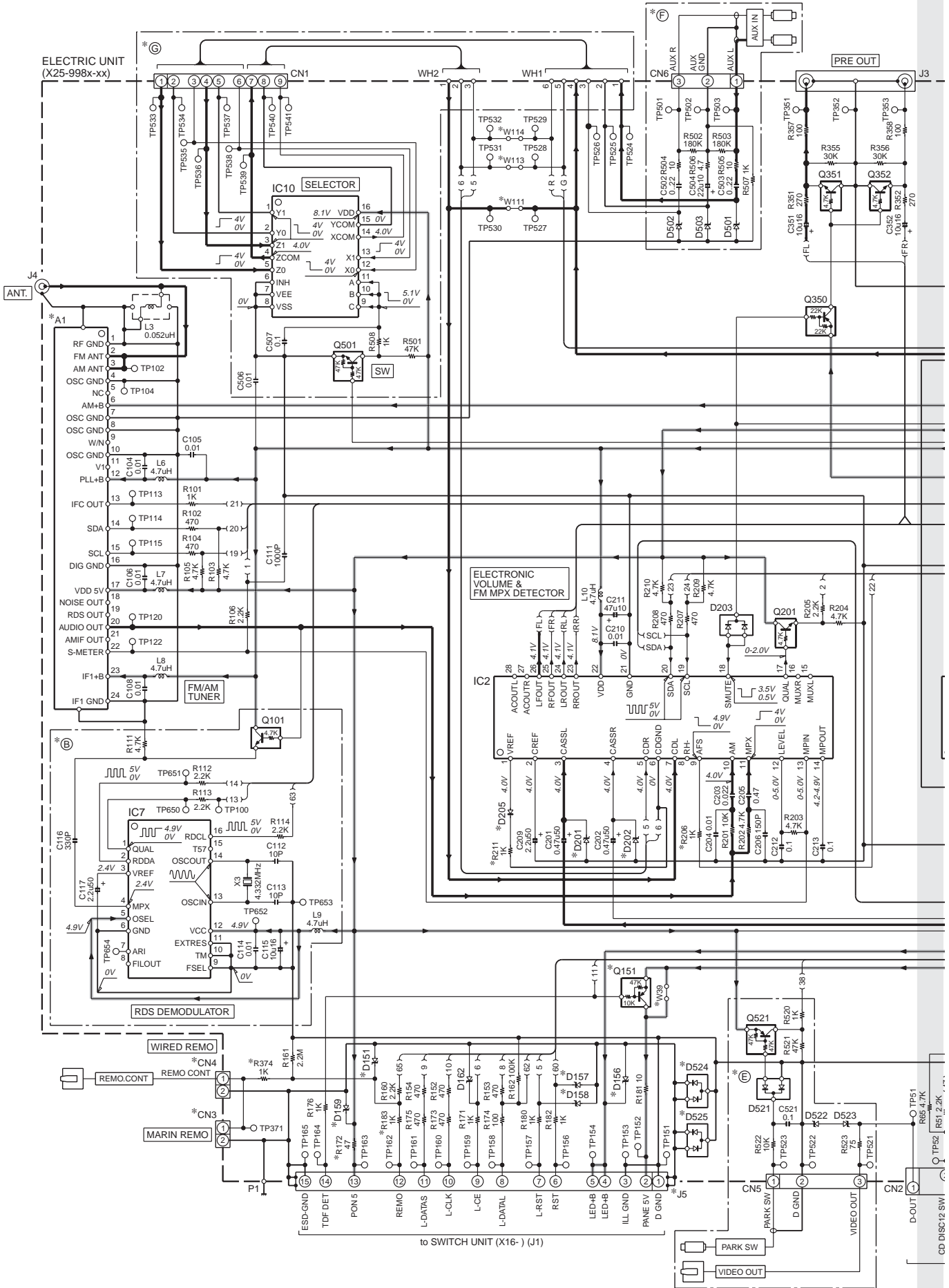
CD PLAYER UNIT X32-5500-00 (J74-1552-12)



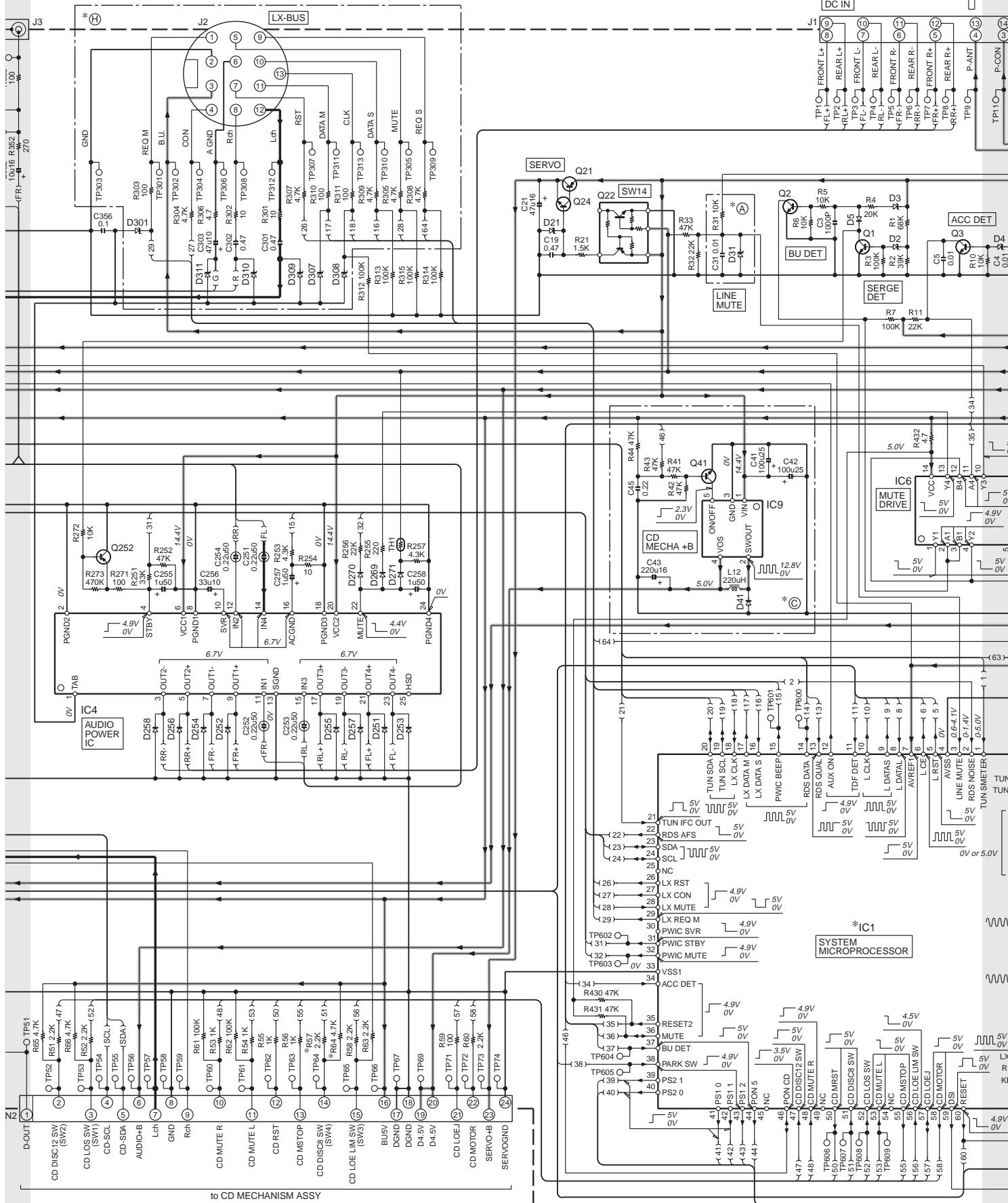
X32-5500-00

| Ref. No. | Address | Ref. No. | Address |
|----------|---------|----------|---------|
| IC1 | 5X | Q1 | 5X |
| IC2 | 2W | Q3 | 5V |
| IC4 | 5V | Q6 | 5W |
| IC5 | 3V | Q8 | 2V |
| IC7 | 4W | Q9 | 3V |
| IC8 | 3X | Q10 | 3V |
| IC9 | 3W | | |

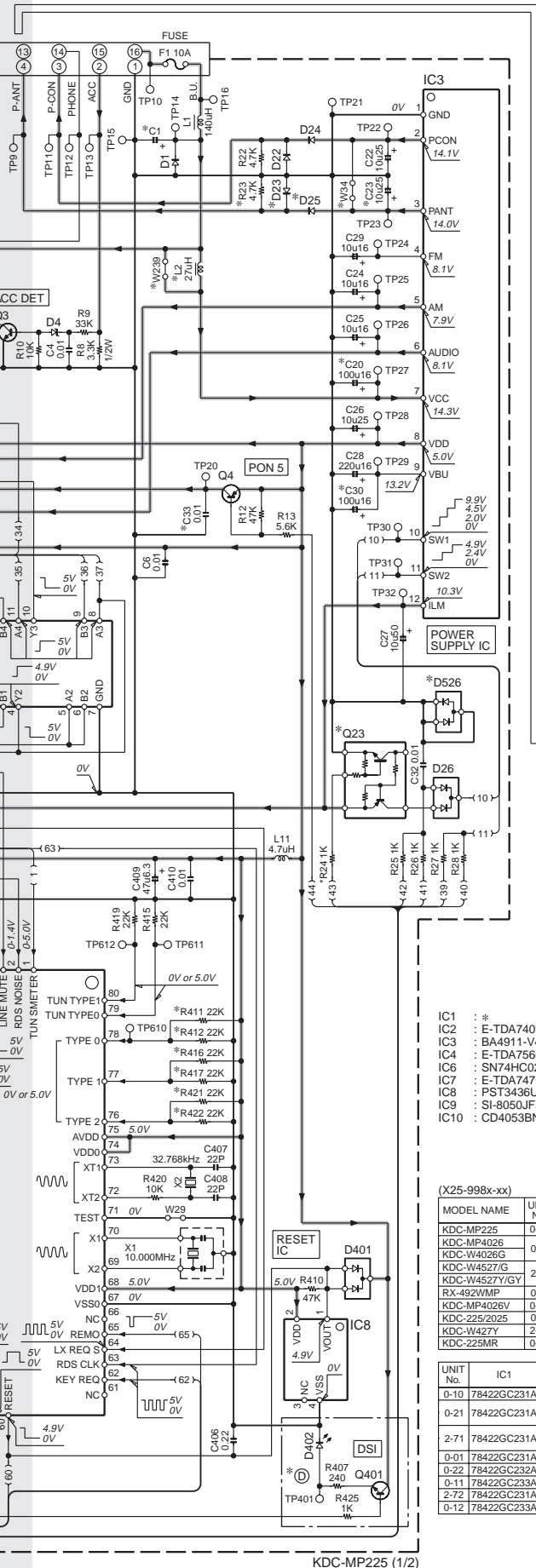
Refer to the schematic diagram for the values of resistors and capacitors.



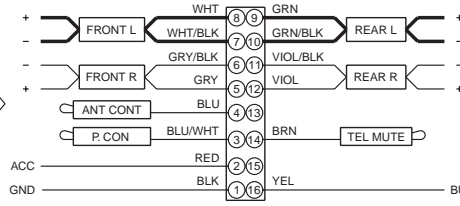
to SWITCH UNIT (X16-) (J1)



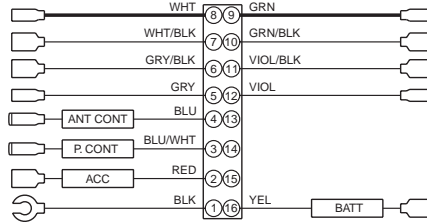
KDC-MP225,MP4026/G
KDC-W4527/G/GY/Y,W427Y



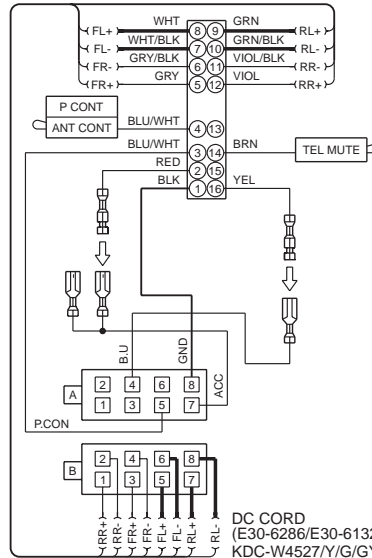
KDC-MP225 (1/2)



DC CORD (E30-6027) : RX-492WMP



DC CORD (E30-6322/E30-6323)
KDC-W427Y/MP225
KDC-225/2025/225MR
KDC-MP4026/G/V



DC CORD (E30-6286/E30-6132)
KDC-W4527Y/G/GY

CAUTION : For continued safety, replace safety critical components only with manufacturer's recommended parts (refer to parts list).

⚠ Indicates safety critical components. To reduce the risk of electric shock, leakage-current or resistance measurements shall be carried out (exposed parts are acceptably insulated from the supply circuit) before the appliance is returned to the customer.

- DC voltages are as measured with a high impedance volt-meter. Values may vary slightly due to variations between individual instruments or/and units.

| | | | | | | |
|------|----------------|------------------|----------------|------------------------|--|---------------|
| IC1 | : * | Q1-3,41,401 | D1 | : S2V60*A | D151,157-159,162,301,307,308,311,503,522,523 | |
| IC2 | : E-TDA7407D | Q21 | : 2SC4081 | D2-4,309,310,501,502 | : MAZ4062-L | |
| IC3 | : BA4911-V4 | Q22 | : 2SA1036K | : MAZ4068-M | : MAZ4120-L | |
| IC4 | : E-TDA7560 | Q23 | : 2SB1565(E,F) | D5,269-271 | : 1SS133 | |
| IC6 | : SN74HC02NSR | Q22,23 | : UMC2N | D21 | : MAZ4082N-L | |
| IC7 | : E-TDA7479AD | Q24 | : 2SD1858 | D22,25,251,253,255-258 | : 1SS400 | |
| IC8 | : PST3436UL-E | Q101,201,351,352 | Q24 | : D1F60-5063 | D205 | : 1SS400 |
| IC9 | : SH-6050JF3MF | Q151 | : DTC143TUA | D23,24,252,254 | D402 | : B30-1567-05 |
| IC10 | : CD4053BNSR | Q151 | : DTA114YUA | : AM01ZNF | D524-526 | : DA204U |
| | | Q252 | : 2SA1576A | D26,203,401,521 | | |
| | | Q350 | : DTA124EUA | | | |
| | | Q501 | : DTC144EUA | D31 | : MAZ4047-M | |
| | | Q521 | : DTA144EUA | D41 | : SFPB-54VNF | |

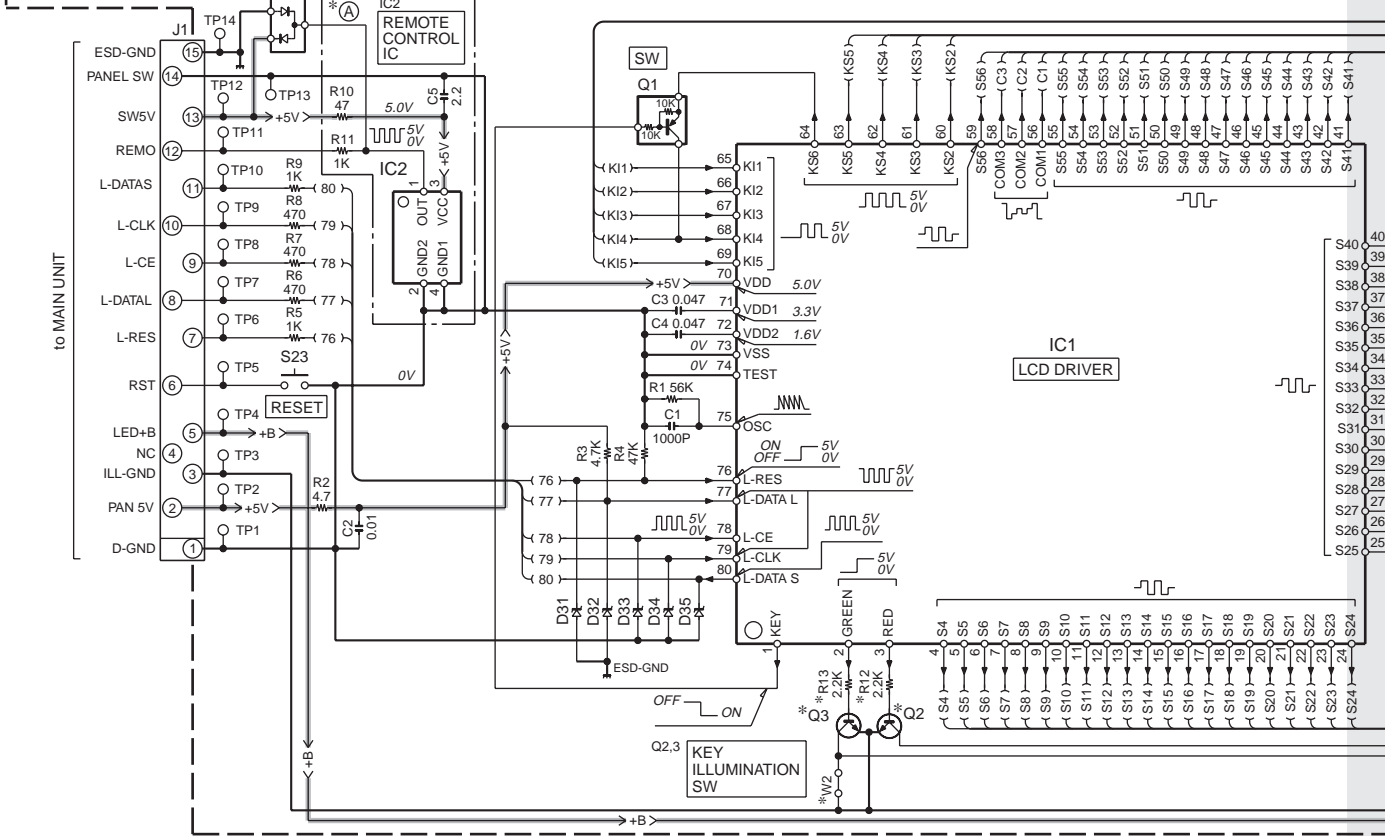
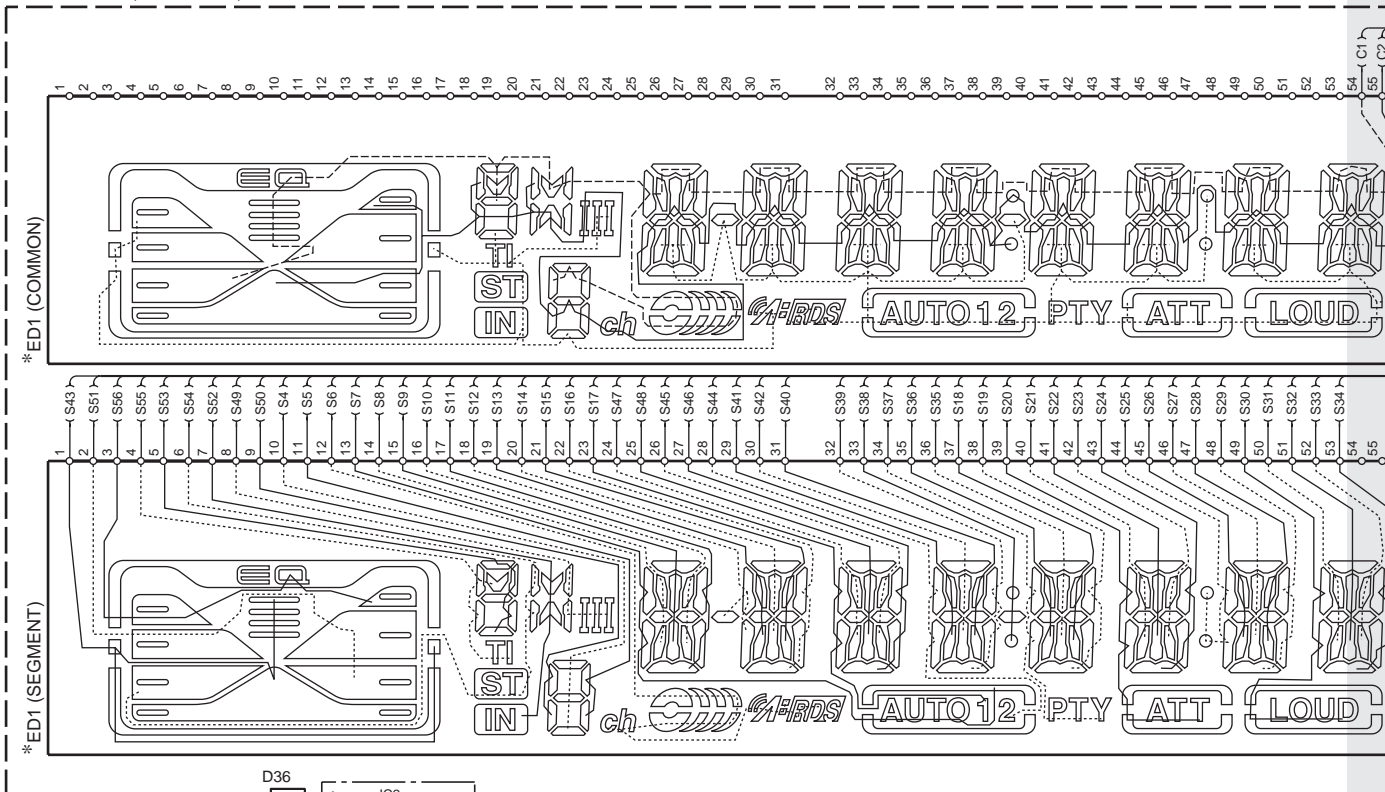
===== SIGNAL LINE
----- GND LINE
----- +B LINE

(X25-998x-xx)

| MODEL NAME | UNIT No. | A | B | C | D | E | F | G | H | A1 | C1 | C20 | C23 | C30 | C33 | CN3 | CN4 | D23,25 | D151,159 | D156-158 | D201,202 | D205,524-526 | |
|---------------|----------|-----|-----|-----|-----|-----|-----|-----|-----|-------------|---------|-----|-----|--------|-----|-----|-----|--------|----------|----------|----------|--------------|-----|
| KDC-MP225 | 0-10 | NO | NO | YES | YES | NO | YES | NO | YES | X86-3760-11 | 2200u16 | NO | NO | 100u16 | NO | NO | NO | NO | NO | YES | NO | NO | NO |
| KDC-MP4026 | 0-21 | YES | NO | YES | YES | NO | YES | NO | YES | X86-3760-11 | 2200u16 | NO | YES | 100u16 | NO | NO | NO | NO | NO | NO | YES | NO | NO |
| KDC-W4527/G | 2-71 | YES | YES | YES | YES | NO | YES | NO | YES | X86-3762-70 | 2200u16 | NO | NO | 100u16 | NO | NO | NO | YES | YES | YES | YES | NO | NO |
| KDC-W4527Y/GY | 2-71 | YES | YES | YES | YES | NO | YES | NO | YES | X86-3762-70 | 2200u16 | NO | NO | 100u16 | NO | NO | NO | YES | YES | YES | YES | NO | NO |
| RX-492WMP | 0-01 | NO | NO | YES | NO | NO | YES | NO | YES | X86-3760-01 | 2200u16 | NO | YES | 100u16 | YES | NO | NO | NO | YES | NO | NO | NO | NO |
| KDC-MP4026V | 0-22 | YES | NO | YES | YES | YES | YES | YES | YES | X86-3760-11 | 2200u16 | NO | YES | 100u16 | NO | NO | NO | NO | NO | YES | YES | YES | YES |
| KDC-225/2025 | 0-11 | NO | NO | NO | YES | NO | YES | NO | YES | X86-3760-11 | 3300u16 | YES | NO | 220u16 | NO | NO | NO | NO | NO | YES | YES | YES | YES |
| KDC-W427Y | 2-72 | YES | NO | YES | YES | NO | NO | NO | NO | X86-3762-70 | 2200u16 | NO | NO | 100u16 | NO | NO | NO | NO | NO | NO | YES | NO | NO |
| KDC-225MR | 0-12 | NO | NO | NO | YES | NO | YES | NO | YES | X86-3760-11 | 3300u16 | YES | NO | 220u16 | NO | YES | NO | NO | YES | NO | YES | YES | NO |

| UNIT No. | IC1 | J5 | L2 | Q23 | Q151 | R23 | R24,411 | R57,64 | R172,183 | R206 | R211 | R374 | R412 | R416 | R417 | R421 | R422 | W34 | W39 | W111,113,114 | W239 |
|----------|-------------|----------|-----|-----|------|-----|---------|--------|----------|------|------|------|------|------|------|------|------|-----|-----|--------------|------|
| 0-10 | 78422GC231A | E58-0992 | NO | NO | YES | NO | NO | NO | YES | NO | NO | YES | YES | NO | YES | NO | YES | NO | NO | YES | YES |
| 0-21 | 78422GC231A | E58-0992 | NO | YES | YES | YES | NO | YES | NO | NO | NO | NO | NO | NO | NO | NO | NO | NO | NO | YES | YES |
| 2-71 | 78422GC231A | E58-0992 | NO | NO | YES | YES | NO | NO | YES | YES | NO | YES | YES | YES | NO | NO | YES | YES | NO | YES | YES |
| 0-01 | 78422GC231A | E58-0993 | NO | YES | YES | YES | YES | YES | YES | NO | NO | NO | NO | YES | NO | NO | NO | NO | NO | YES | YES |
| 0-22 | 78422GC232A | E58-0992 | NO | YES | YES | YES | YES | YES | YES | NO | NO | NO | NO | NO | NO | NO | NO | NO | NO | NO | YES |
| 0-11 | 78422GC233A | E58-0992 | YES | NO | YES | NO | NO | NO | YES | NO | NO | NO | NO | YES | NO | NO | YES | NO | NO | NO | YES |
| 2-72 | 78422GC231A | E58-0992 | NO | NO | YES | YES | NO | NO | NO | NO | NO | NO | NO | YES | YES | NO | YES | NO | NO | NO | YES |
| 0-12 | 78422GC233A | E58-0992 | YES | NO | YES | NO | NO | NO | YES | NO | NO | NO | YES | NO | YES | NO | YES | NO | NO | NO | YES |

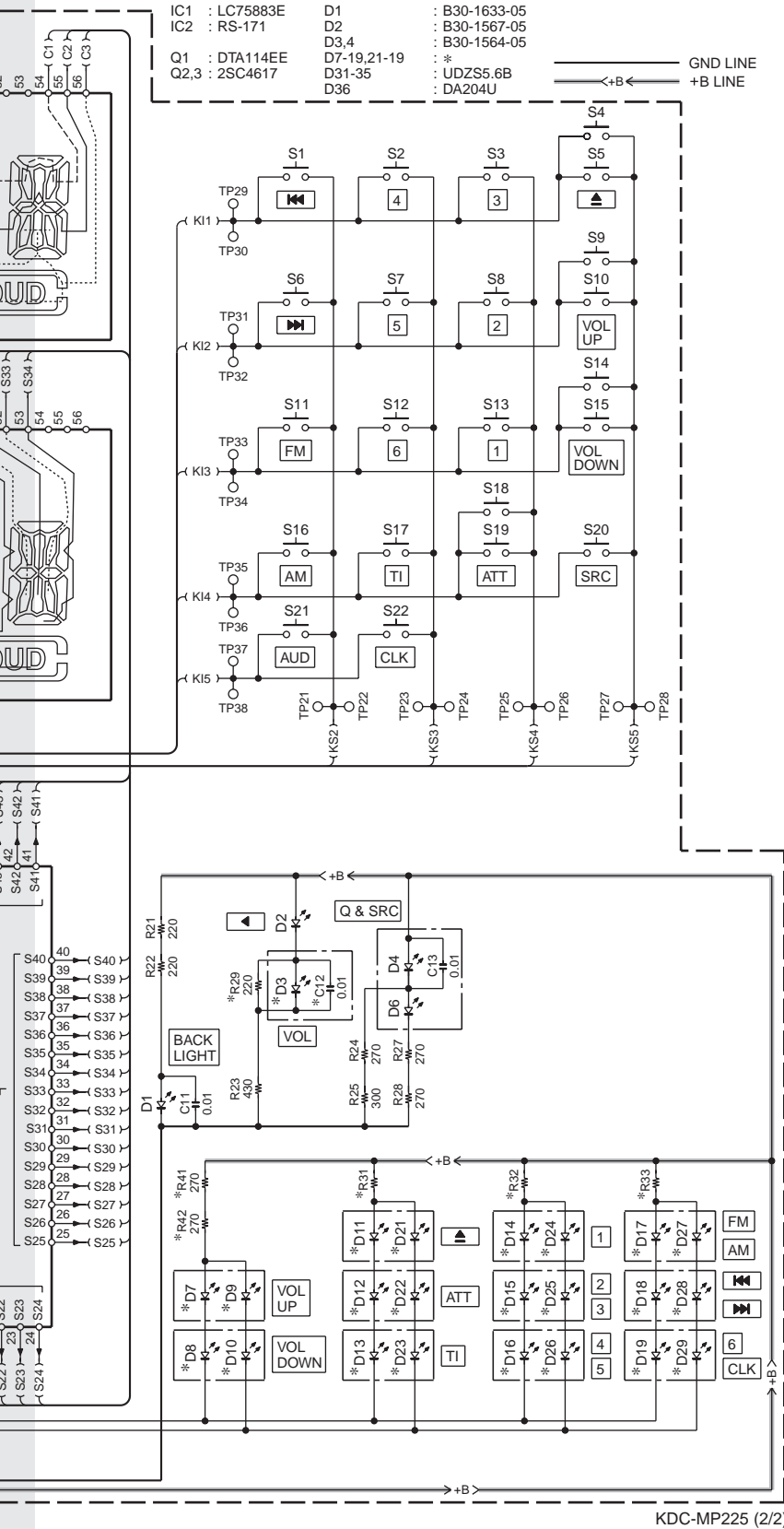
SWITCH UNIT (X16-26xx-xx)



CAUTION : For continued safety, replace safety critical components only with manufacturer's recommended parts (refer to parts list).
 ⚠ Indicates safety critical components. To reduce the risk of electric shock, leakage-current or resistance measurements shall be carried out (exposed parts are acceptably insulated from the supply circuit) before the appliance is returned to the customer.

- DC voltages are as measured with a high impedance voltmeter. Values may vary slightly due to variations between individual instruments or/and units.

KDC-MP225, MP4026/G KDC-W4527/G/GY/Y, W427Y



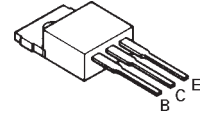
(X16-264x-xx)

| MODEL NAME | UNIT No. | A | C12 | D1 | D3 | D7,8 | D9,10 | D11-19 | D21-29 | ED1 | Q2,3 | R12, R13 | R29, R31-33 | W2 |
|----------------|----------|-----|-----|-------------|-------------|-------------|-------------|-------------|-------------|-------------|------|----------|-------------|-----|
| RX-492WMP | 0-01 | YES | YES | B30-1633-05 | B30-1564-05 | NO | NO | NO | B30-1575-05 | B38-1136-05 | NO | NO | NO | 330 |
| KDC-225/MP225 | 0-11 | YES | YES | B30-1633-05 | B30-1564-05 | NO | NO | NO | B30-1566-05 | B38-1145-05 | NO | NO | NO | 390 |
| KDC-2025/225MR | 0-12 | YES | YES | B30-1641-05 | B30-1564-05 | NO | NO | NO | B30-1566-05 | B38-1137-05 | NO | NO | NO | 390 |
| KDC-MP4026/G/V | 0-21 | YES | YES | B30-1633-05 | B30-1564-05 | NO | NO | NO | B30-1565-05 | B38-1136-05 | NO | NO | NO | 330 |
| KDC-W4527 | 2-70 | YES | NO | B30-1633-05 | NO | NO | NO | NO | B30-1565-05 | B38-1145-05 | YES | YES | YES | 330 |
| KDC-W4527G | 2-71 | YES | NO | B30-1633-05 | NO | B30-1566-05 | B30-1565-05 | B30-1566-05 | B30-1565-05 | B38-1144-05 | YES | YES | YES | 330 |
| KDC-W427Y | 2-72 | NO | NO | B30-1633-05 | NO | B30-1566-05 | B30-1566-05 | B30-1566-05 | B30-1565-05 | B38-1136-05 | YES | YES | YES | NO |

(X16-265x-xx)

| MODEL NAME | UNIT No. | A | C12 | D1 | D3 | D7,8 | D9,10 | D11-19 | D21-29 | ED1 | Q2,3 | R12, R13 | R29, R31-33 | W2 |
|-------------|----------|-----|-----|-------------|----|-------------|-------------|-------------|-------------|-------------|------|----------|-------------|----|
| KDC-W4527Y | 2-70 | YES | NO | B30-1633-05 | NO | B30-1566-05 | B30-1565-05 | B30-1566-05 | B30-1565-05 | B38-1145-05 | YES | YES | YES | NO |
| KDC-W4527GY | 2-71 | YES | NO | B30-1633-05 | NO | B30-1566-05 | B30-1565-05 | B30-1566-05 | B30-1565-05 | B38-1144-05 | YES | YES | YES | NO |

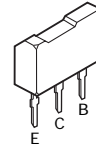
2SB1565



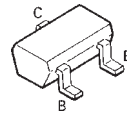
DTA114EE
DTC143TUA
2SA1036K
2SA1576A
2SC4617



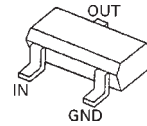
2SD1858



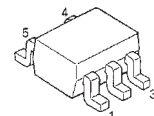
2SC4081



DTA124EUA



UMC2N



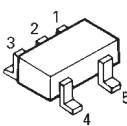
DAN202U



DTA114YUA



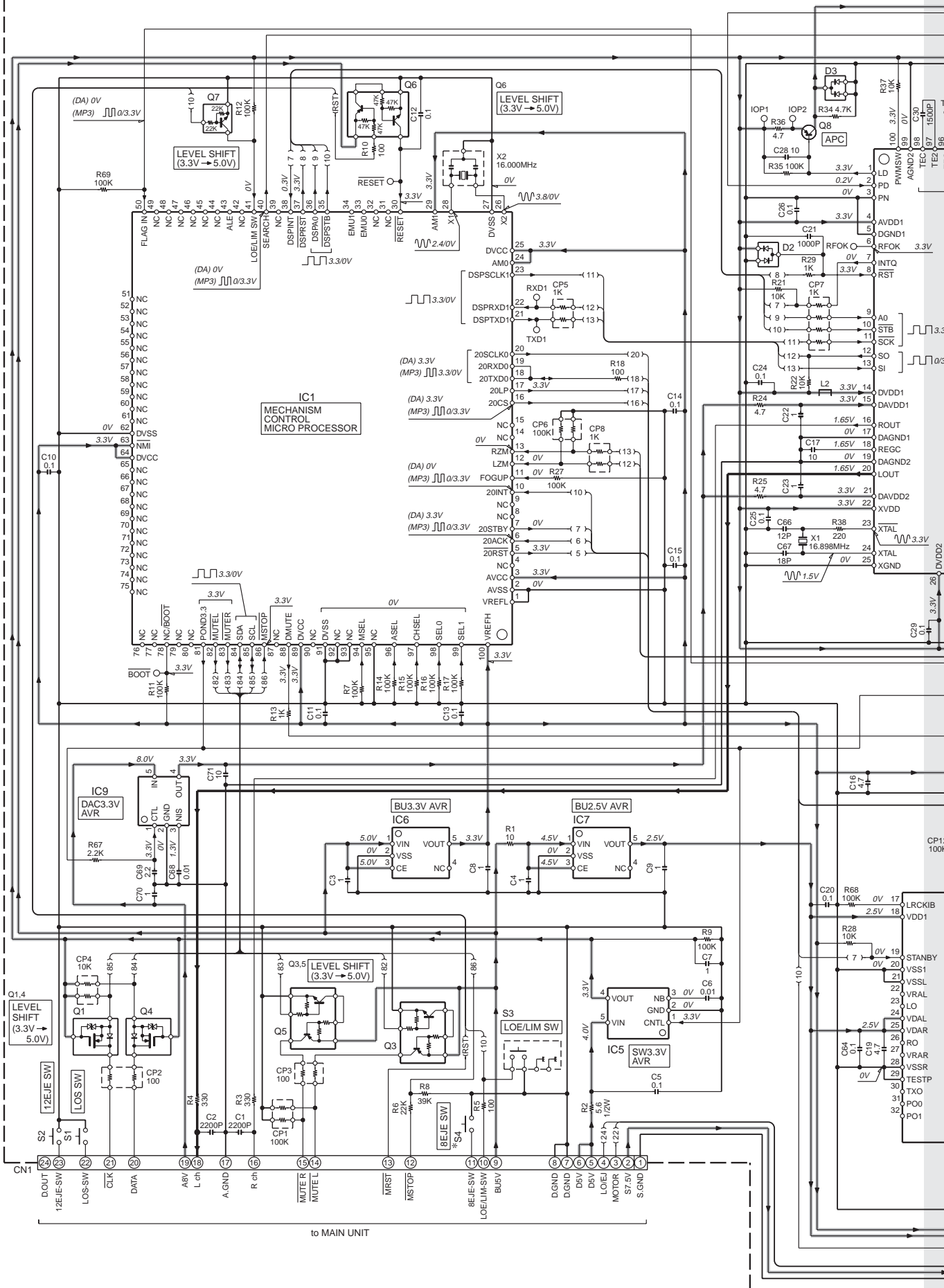
TC7SH08FU



KDC-MP225,MP4026/G KDC-W4527/G/GY/Y,W427Y

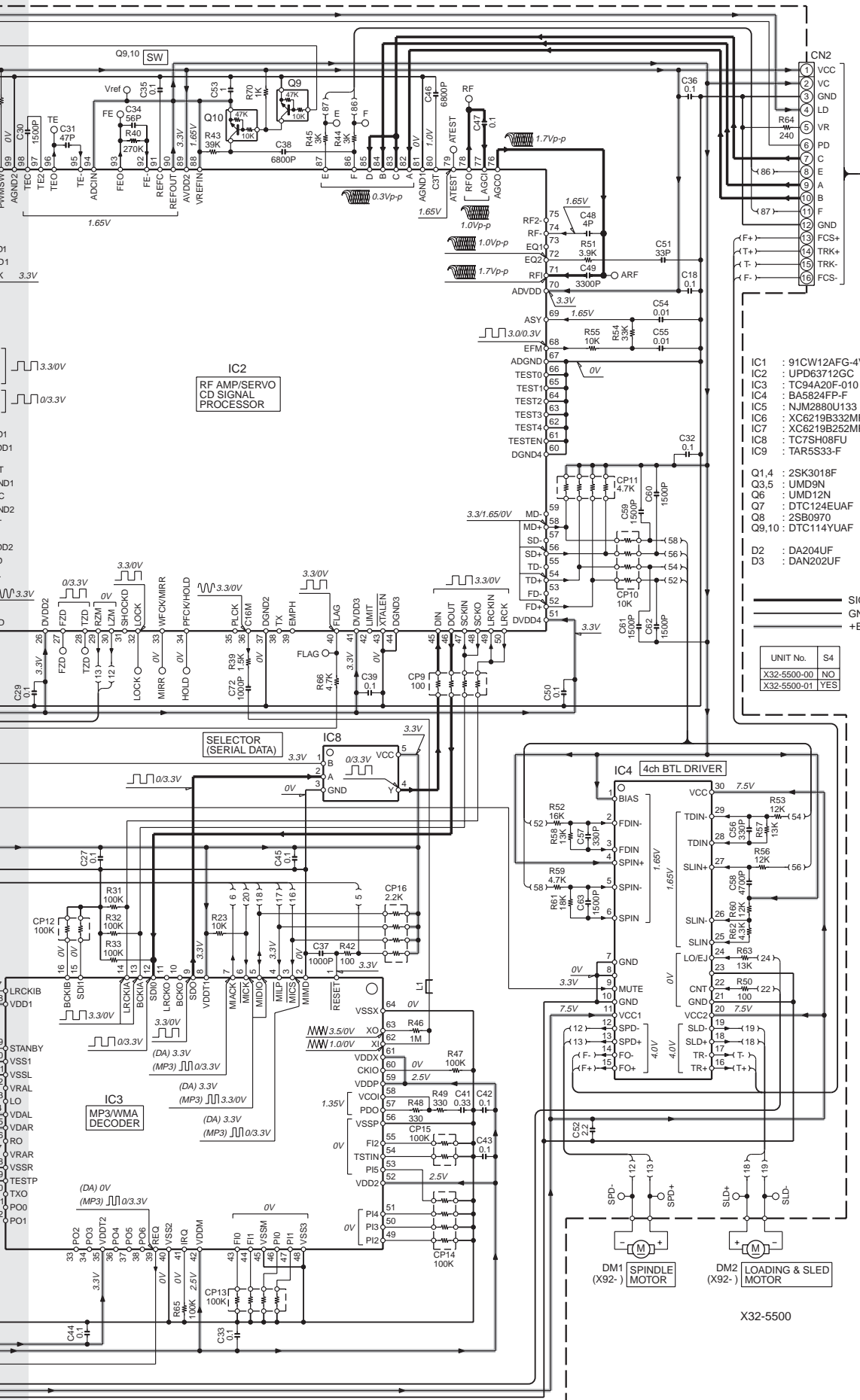
CD PLAYER UNIT (X32-5500-00/01)

1
2
3
4
5
6
7



to MAIN UNIT

AE AF AG AH AI
KDC-MP225,MP4026/G
KDC-W4527/G/GY/Y,W427Y



- IC1 : 91CW12AFG-4VF6
 - IC2 : UPD63712GC
 - IC3 : TC94A20F-010
 - IC4 : BA5824FP-F
 - IC5 : NJM2880U133
 - IC6 : XC6219B332MR
 - IC7 : XC6219B252MR
 - IC8 : TC7SH08FU
 - IC9 : TAR5S33-F
- Q1,4 : 2SK3018F
 - Q3,5 : UMD9N
 - Q6 : UMD12N
 - Q7 : DTC124EUAF
 - Q8 : 2SB0970
 - Q9,10 : DTC114YUAF
- D2 : DA204UF
 - D3 : DAN202UF

SIGNAL LINE
 GND LINE
 +B LINE

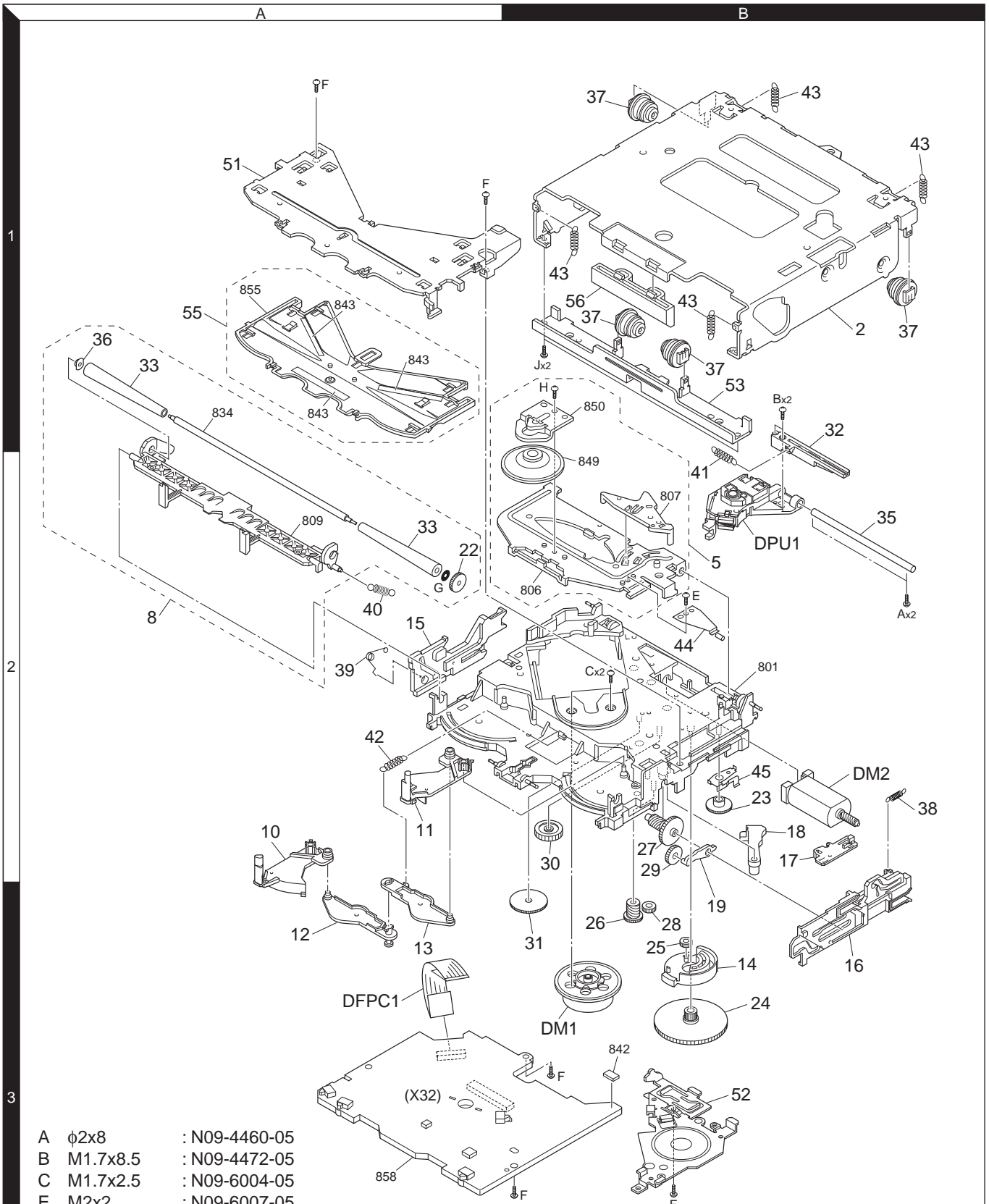
| UNIT No. | S4 |
|-------------|-----|
| X32-5500-00 | NO |
| X32-5500-01 | YES |

CAUTION : For continued safety, replace safety critical components only with manufacturer's recommended parts (refer to parts list).

⚠ Indicates safety critical components. To reduce the risk of electric shock, leakage-current or resistance measurements shall be carried out (exposed parts are acceptably insulated from the supply circuit) before the appliance is returned to the customer.

- DC voltages are as measured with a high impedance voltmeter. Values may vary slightly due to variations between individual instruments or/ and units.

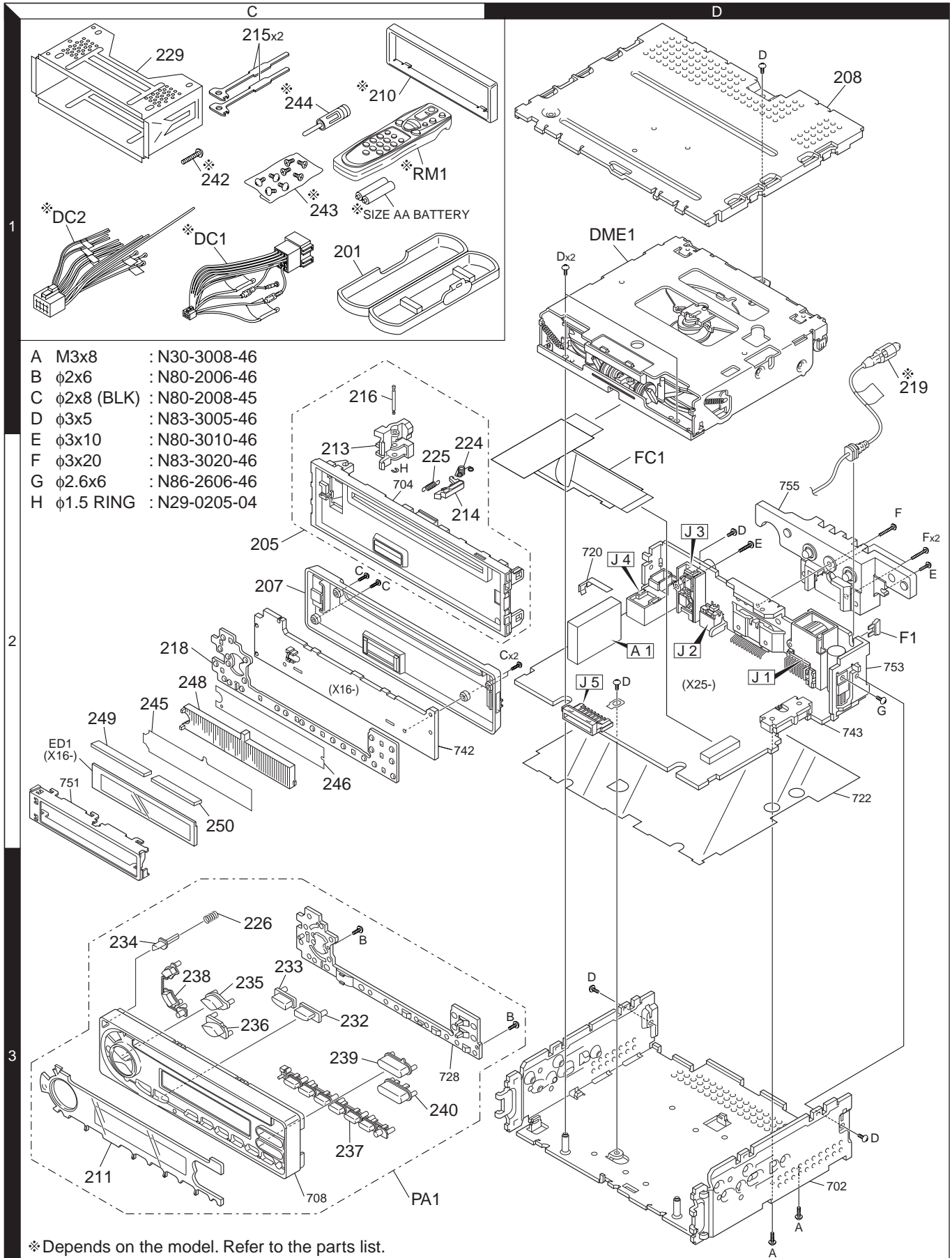
EXPLODED VIEW (CD MECHANISM)



| | | |
|---|------------|---------------|
| A | φ2x8 | : N09-4460-05 |
| B | M1.7x8.5 | : N09-4472-05 |
| C | M1.7x2.5 | : N09-6004-05 |
| E | M2x2 | : N09-6007-05 |
| F | φ2x6(BLK) | : N09-6051-05 |
| G | 1.6 WASHER | : N19-2163-04 |
| H | M2x2 | : N39-2020-46 |
| J | φ2x3.5 | : N09-6108-05 |

* CD MECHANISM OPERATION DESCRIPTION is not in this service manual.
Please refer to service manual for X92-4450-0X (B51-7889-00)

EXPLODED VIEW (UNIT)



PARTS LIST

* New parts

Parts without **Parts No.** are not supplied.

Les articles non mentionnés dans le **Parts No.** ne sont pas fournis.

Teile ohne **Parts No.** werden nicht geliefert.

| Ref. No. | A d d | N e w | Parts No. | Description | Desti- nation | Ref. No. | A d d | N e w | Parts No. | Description | Desti- nation |
|---|-------------|-------------|-------------|---------------------------------|------------------|--|-------------|-------------|-------------|-------------------------------|------------------|
| KDC-MP225, MP4026/G, W4527/G/GY/Y, W427Y | | | | | | | | | | | |
| 201 | 1C | | A02-1486-13 | PLASTIC CABINET ASSY | | 224 | 1C | | G01-2987-04 | TORSION COIL SPRING | |
| 205 | 2C | | A22-2863-03 | SUB PANEL ASSY | | 225 | 1C | | G01-3096-04 | EXTENSION SPRING | |
| 207 | 2C | | A46-1796-01 | REAR COVER | | 226 | 3C | | G01-3149-04 | COMPRESSION SPRING | |
| 208 | 1D | | A52-0804-02 | TOP PLATE | | - | | | H10-4856-12 | POLYSTYRENE FOAMED FIXTURE | EE1E2K |
| PA1 | 3C | * | A64-3170-02 | PANEL ASSY | K | - | | | H10-4856-12 | POLYSTYRENE FOAMED FIXTURE | MM1 |
| PA1 | 3C | * | A64-3172-02 | PANEL ASSY | EE3 | - | | | H10-4857-12 | POLYSTYRENE FOAMED FIXTURE | E3E4 |
| PA1 | 3C | * | A64-3173-02 | PANEL ASSY | E1E4 | - | | | H25-0329-04 | PROTECTION BAG (280X450X0.03) | EE1E2K |
| PA1 | 3C | * | A64-3174-02 | PANEL ASSY | M | - | | | H25-0329-04 | PROTECTION BAG (280X450X0.03) | MM1 |
| PA1 | 3C | * | A64-3175-02 | PANEL ASSY | M1 | - | | | H25-0337-04 | PROTECTION BAG (180X300X0.03) | |
| PA1 | 3C | * | A64-3175-02 | PANEL ASSY | E2 | - | | | H25-1111-04 | PROTECTION BAG (280X450X0.03) | E3E4 |
| PA1 | 3C | * | A64-3336-02 | PANEL ASSY | | - | | * | H54-2993-03 | ITEM CARTON CASE | K |
| RM1 | 1C | | A70-2040-05 | REMOTE CONTROLLER ASSY (RC-505) | KMM1 | - | | * | H54-2996-03 | ITEM CARTON CASE | E |
| - | | | B46-0100-50 | WARRANTY CARD | E3E4KM | - | | * | H54-2998-03 | ITEM CARTON CASE | E1 |
| - | | | B46-0100-50 | WARRANTY CARD | M1 | - | | * | H54-2999-03 | ITEM CARTON CASE | M |
| - | | | B46-0182-14 | ID CARD | E3E4 | - | | * | H54-3000-03 | ITEM CARTON CASE | M1 |
| - | | | B46-0606-04 | ID CARD | EE1E2K | - | | * | H54-3068-03 | ITEM CARTON CASE | E3 |
| - | | | B46-0606-04 | ID CARD | MM1 | - | | * | H54-3069-03 | ITEM CARTON CASE | E4 |
| - | | | B46-0606-04 | ID CARD | MM1 | - | | * | H54-3141-03 | ITEM CARTON CASE | E2 |
| - | | | B46-0653-03 | USER CARD | K | 229 | 1C | | J21-9716-03 | MOUNTING HARDWARE ASSY | |
| - | | | B58-1365-04 | CAUTION CARD | | 232 | 3C | | K24-4098-04 | KNOB (SRC) | |
| - | | * | B64-2681-00 | INST. MANUAL (ENG,FRE,SPA) | K | 233 | 3C | | K24-4099-04 | KNOB (Q-AUDIO) | |
| - | | * | B64-2682-00 | INST. MANUAL (ENG,RUS,POL) | EE1E2 | 234 | 3C | | K24-4101-04 | KNOB (RELEASE) | |
| - | | * | B64-2683-00 | INST. MANUAL (CZE,HUN,SLO) | EE1E2 | 235 | 3C | | K24-4096-04 | KNOB (VOL. UP) | KMM1 |
| - | | * | B64-2684-00 | INST. MANUAL (CRO,SWE,FIN) | EE1E2 | 235 | 3C | | K24-4124-04 | KNOB (VOL. UP) | EE1E2 |
| - | | * | B64-2685-00 | INST. MANUAL (ENG,T-CHI) | MM1 | 236 | 3C | | K24-4124-04 | KNOB (VOL. UP) | E3E4 |
| - | | * | B64-2686-00 | INST. MANUAL (ARABIC) | MM1 | 236 | 3C | | K24-4097-04 | KNOB (VOL. DOWN) | KMM1 |
| - | | * | B64-2691-00 | INST. MANUAL (ENGLISH) | E3E4 | 236 | 3C | | K24-4125-04 | KNOB (VOL. DOWN) | EE1E2 |
| - | | * | B64-2692-00 | INST. MANUAL (FRE,GER,DUT) | E3E4 | 236 | 3C | | K24-4125-04 | KNOB (VOL. DOWN) | E3E4 |
| - | | * | B64-2693-00 | INST. MANUAL (ITA,SPA,POR) | E3E4 | 237 | 3C | | K25-1589-03 | KNOB (PRESET1-6) | |
| 210 | 1C | | B07-3001-02 | ESCUTCHEON | EE1E2 | 238 | 3C | | K25-1590-03 | KNOB (EJECT/ATT) | |
| 210 | 1C | | B07-3001-02 | ESCUTCHEON | E3E4M1 | 239 | 3C | | K25-1613-03 | KNOB (FM/AM) | |
| 210 | 1C | | B07-3098-02 | ESCUTCHEON | KM | 240 | 3C | | K25-1614-03 | KNOB (SEEK) | |
| 211 | 3C | * | B10-4464-01 | FRONT GLASS | K | 242 | 1C | | N84-4016-46 | PAN HEAD TAPTITE SCREW | KMM1 |
| 211 | 3C | * | B10-4466-01 | FRONT GLASS | EE3 | 243 | 1C | | N99-1719-05 | SCREW SET | KMM1 |
| 211 | 3C | * | B10-4467-01 | FRONT GLASS | E1E4 | A | 3D | | N30-3008-46 | PAN HEAD MACHINE SCREW | |
| 211 | 3C | * | B10-4468-01 | FRONT GLASS | M | B | 3C | | N80-2006-46 | PAN HEAD TAPTITE SCREW | |
| 211 | 3C | * | B10-4469-01 | FRONT GLASS | M1 | C | 2C | | N80-2008-45 | PAN HEAD TAPTITE SCREW | |
| 211 | 3C | * | B10-4555-01 | FRONT GLASS | E2 | D | 1D | | N83-3005-46 | PAN HEAD TAPTITE SCREW | |
| 213 | 1C | | D10-4446-03 | LEVER | | H | 2C | | N29-0205-04 | RETAINING RING | |
| 214 | 1C | | D10-4447-03 | LEVER | | 244 | 1C | | T90-0523-05 | ANTENNA ADAPTOR | EE1E2 |
| 215 | 1C | | D10-4589-04 | LEVER | | 244 | 1C | | T90-0523-05 | ANTENNA ADAPTOR | E3E4 |
| 216 | 1C | | D21-2329-04 | SHAFT | | DME1 | 1D | * | X92-4850-00 | MECHANISM ASSY (DXM-6540W) | EE1E2K |
| 218 | 1C | | E29-1964-02 | CONDUCTIVE RUBBER | | DME1 | 1D | * | X92-4850-00 | MECHANISM ASSY (DXM-6540W) | MM1 |
| 219 | 2D | | E30-6224-15 | CORD WITH CONNECTOR | EE1E3 | DME1 | 1D | * | X92-4850-01 | MECHANISM ASSY (DXM-6541W) | E3E4 |
| 219 | 2D | | E30-6224-15 | CORD WITH CONNECTOR | E4 | SWITCH UNIT (X16-2640-xx, 2642-xx, 2652-xx) | | | | | |
| △ DC1 | 1C | | E30-6132-15 | DC CORD | EE1E2 | 245 | 2C | | B11-1435-04 | OPTICAL DIFFUSER | E1E4M |
| △ DC1 | 1C | | E30-6132-15 | DC CORD | E3E4 | 245 | 2C | | B11-1435-04 | OPTICAL DIFFUSER | M1 |
| △ DC1 | 1C | | E30-6286-05 | DC CORD | EE1E2 | 245 | 2C | | B11-1436-04 | OPTICAL DIFFUSER | EE2E3K |
| △ DC1 | 1C | | E30-6286-05 | DC CORD | E3E4 | 246 | 2C | | B11-1437-04 | REFLECTION SHEET | E1E4M |
| DC2 | 1C | | E30-6322-05 | DC CORD | KMM1 | 246 | 2C | | B11-1437-04 | REFLECTION SHEET | M1 |
| DC2 | 1C | | E30-6323-05 | DC CORD | KMM1 | 246 | 2C | * | B11-1442-04 | REFLECTION SHEET | EE2E3K |
| FC1 | 2D | * | E39-0622-05 | FLAT CABLE (24PIN) | | 248 | 2C | | B19-2242-03 | LIGHTING BOARD | |
| △ F1 | 2D | | F52-0006-05 | FUSE (MINI BLADE TYPE 10A) | | | | | | | |
| △ F1 | 2D | | F52-0023-05 | FUSE (MINI BLADE TYPE 10A) | | | | | | | |

K : KDC-MP225 M : KDC-MP4026 M1 : KDC-MP4026G E : KDC-W4527Y
E1 : KDC-W4527GY E2 : KDC-W427Y E3 : KDC-W4527 E4 : KDC-W4527G

△ Indicates safety critical components.

PARTS LIST

* New parts

Parts without **Parts No.** are not supplied.

Les articles non mentionnés dans le **Parts No.** ne sont pas fournis.

Teile ohne **Parts No.** werden nicht geliefert.

SWITCH UNIT (X16-2640-xx, 2642-xx, 2652-xx)

| Ref. No. | A d d | N e w | Parts No. | Description | Desti- nation |
|----------|-------------|-------------|--------------|---------------------|------------------|
| D1 | | | B30-1633-05 | LED (WHITE) | |
| D2 | | | B30-1566-05 | LED (1608,RED) | |
| D3,4 | | | B30-1564-05 | LED (1608,BLUE) | KMM1 |
| D4 | | | B30-1564-05 | LED (1608,BLUE) | EE1E2 |
| D4 | | | B30-1564-05 | LED (1608,BLUE) | E3E4 |
| D7,8 | | | B30-1566-05 | LED (1608,RED) | EE1E2 |
| D7,8 | | | B30-1566-05 | LED (1608,RED) | E3E4 |
| D9,10 | | | B30-1565-05 | LED (1608,PG) | EE1E2 |
| D9,10 | | | B30-1565-05 | LED (1608,PG) | E3E4 |
| D11-19 | | | B30-1566-05 | LED (1608,RED) | EE1E2 |
| D11-19 | | | B30-1566-05 | LED (1608,RED) | E3E4 |
| D21-29 | | | B30-1565-05 | LED (1608,PG) | EE1E2 |
| D21-29 | | | B30-1565-05 | LED (1608,PG) | E3E4M |
| D21-29 | | | B30-1565-05 | LED (1608,PG) | M1 |
| D21-29 | | | B30-1566-05 | LED (1608,RED) | K |
| ED1 | 2C | * | B38-1136-05 | LIQUID CRYSTAL | MM1 |
| ED1 | 2C | | B38-1137-05 | LIQUID CRYSTAL | E2 |
| ED1 | 2C | | B38-1144-05 | LIQUID CRYSTAL | E1E4 |
| ED1 | 2C | | B38-1145-05 | LIQUID CRYSTAL | EE3K |
| C1 | | | CK73GB1H102K | CHIP C 1000PF K | |
| C2 | | | CK73GB1H103K | CHIP C 0.010UF K | |
| C3,4 | | | CK73GB1E473K | CHIP C 0.047UF K | |
| C5 | | | CK73FB1A225K | CHIP C 2.2UF K | EE1E3 |
| C5 | | | CK73FB1A225K | CHIP C 2.2UF K | E4KMM1 |
| C11 | | | CK73GB1H103K | CHIP C 0.010UF K | EE1E2 |
| C11 | | | CK73GB1H103K | CHIP C 0.010UF K | E3E4 |
| C11-13 | | | CK73GB1H103K | CHIP C 0.010UF K | KMM1 |
| C13 | | | CK73GB1H103K | CHIP C 0.010UF K | EE1E2 |
| C13 | | | CK73GB1H103K | CHIP C 0.010UF K | E3E4 |
| 249 | 2C | | E29-1965-04 | CONDUCTIVE RUBBER | E1E2E4 |
| 249 | 2C | | E29-1965-04 | CONDUCTIVE RUBBER | MM1 |
| 249 | 2C | | E29-1993-04 | CONDUCTIVE RUBBER | EE3K |
| 250 | 2C | | E29-1966-04 | CONDUCTIVE RUBBER | E1E2E4 |
| 250 | 2C | | E29-1966-04 | CONDUCTIVE RUBBER | MM1 |
| 250 | 2C | | E29-1994-04 | CONDUCTIVE RUBBER | EE3K |
| J1 | | | E59-0828-05 | RECTANGULAR PLUG | |
| R1 | | | RK73GB2A563J | CHIP R 56K J 1/10W | |
| R2 | | | RK73GB2A4R7J | CHIP R 4.7 J 1/10W | |
| R3 | | | RK73GB2A472J | CHIP R 4.7K J 1/10W | |
| R4 | | | RK73GB2A473J | CHIP R 47K J 1/10W | |
| R5 | | | RK73GB2A102J | CHIP R 1.0K J 1/10W | |
| R6-8 | | | RK73GB2A471J | CHIP R 470 J 1/10W | |
| R9 | | | RK73GB2A102J | CHIP R 1.0K J 1/10W | |
| R10 | | | RK73GB2A470J | CHIP R 47 J 1/10W | EE1E3 |
| R10 | | | RK73GB2A470J | CHIP R 47 J 1/10W | E4KMM1 |
| R11 | | | RK73GB2A102J | CHIP R 1.0K J 1/10W | EE1E3 |
| R11 | | | RK73GB2A102J | CHIP R 1.0K J 1/10W | E4KMM1 |
| R12,13 | | | RK73GB2A222J | CHIP R 2.2K J 1/10W | EE1E2 |
| R12,13 | | | RK73GB2A222J | CHIP R 2.2K J 1/10W | E3E4 |
| R21,22 | | | RK73FB2B221J | CHIP R 220 J 1/8W | |
| R23 | | | RK73FB2B431J | CHIP R 430 J 1/8W | |
| R24,25 | | | RK73FB2B271J | CHIP R 270 J 1/8W | |
| R29 | | | RK73GB2A221J | CHIP R 220 J 1/10W | EE1E2 |
| R29 | | | RK73GB2A221J | CHIP R 220 J 1/10W | E3E4 |

| Ref. No. | A d d | N e w | Parts No. | Description | Desti- nation |
|----------|-------------|-------------|--------------|----------------------|------------------|
| R31-33 | | | RK73FB2B331J | CHIP R 330 J 1/8W | EE1E2 |
| R31-33 | | | RK73FB2B331J | CHIP R 330 J 1/8W | E3E4M |
| R31-33 | | | RK73FB2B331J | CHIP R 330 J 1/8W | M1 |
| R31-33 | | | RK73FB2B391J | CHIP R 390 J 1/8W | K |
| R41,42 | | | RK73FB2B271J | CHIP R 270 J 1/8W | EE1E2 |
| R41,42 | | | RK73FB2B271J | CHIP R 270 J 1/8W | E3E4 |
| W1 | | | R92-1252-05 | CHIP R 0 OHM J 1/16W | EE1E2 |
| W1 | | | R92-1252-05 | CHIP R 0 OHM J 1/16W | E3E4 |
| W1,2 | | | R92-1252-05 | CHIP R 0 OHM J 1/16W | KMM1 |
| D31-35 | | | UDZS5.6B | ZENER DIODE | |
| IC1 | | | LC75883E-E | MOS-IC | |
| IC2 | | | RS-171 | ANALOGUE IC | EE1E3 |
| IC2 | | | RS-171 | ANALOGUE IC | E4KMM1 |
| Q1 | | | DTA114EE | DIGITAL TRANSISTOR | |
| Q2,3 | | | 2SC4617 | TRANSISTOR | EE1E2 |
| Q2,3 | | | 2SC4617 | TRANSISTOR | E3E4 |

ELECTRIC UNIT (X25-9980-xx, 9982-xx, X34-3172-70)

| Ref. No. | A d d | N e w | Parts No. | Description | Desti- nation |
|----------|-------------|-------------|---------------|---------------------|------------------|
| C1 | | * | C90-5682-05 | ELECTRO 2200UF 16WV | EE1E2K |
| C1 | | * | C90-5682-05 | ELECTRO 2200UF 16WV | MM1 |
| C1 | | | C94-0213-05 | ELECTRO 2200UF 16WV | E3E4 |
| C3 | | | CK73GB1H102K | CHIP C 1000PF K | |
| C4-6 | | | CK73GB1H103K | CHIP C 0.010UF K | |
| C19 | | | CK73GB1A474K | CHIP C 0.47UF K | |
| C21 | | | CD04AS1C470M | ELECTRO 47UF 16WV | |
| C22 | | | CD04AS1E100M | ELECTRO 10UF 25WV | EE1E2 |
| C22 | | | CD04AS1E100M | ELECTRO 10UF 25WV | E3E4K |
| C22,23 | | | CD04AS1E100M | ELECTRO 10UF 25WV | MM1 |
| C24,25 | | | CD04AS1C100M | ELECTRO 10UF 16WV | |
| C26 | | | CD04AS1E100M | ELECTRO 10UF 25WV | |
| C27 | | | CD04AT1H100M | ELECTRO 10UF 50WV | |
| C28 | | | C90-5635-05 | ELECTRO 220UF 16WV | |
| C29 | | | CD04AS1C100M | ELECTRO 10UF 16WV | |
| C30 | | * | CD04AS1C101M | ELECTRO 100UF 16WV | |
| C31,32 | | | CK73GB1H103K | CHIP C 0.010UF K | EE1E2 |
| C31,32 | | | CK73GB1H103K | CHIP C 0.010UF K | E3E4M |
| C31,32 | | | CK73GB1H103K | CHIP C 0.010UF K | M1 |
| C32 | | | CK73GB1H103K | CHIP C 0.010UF K | K |
| C41,42 | | | CD04BF1E101M | ELECTRO 100UF 25WV | |
| C43 | | | CD04BF1C221M | ELECTRO 220UF 16WV | |
| C45 | | | CK73GB1A224K | CHIP C 0.22UF K | |
| C104-106 | | | CK73GB1H103K | CHIP C 0.010UF K | |
| C108 | | | CK73GB1H103K | CHIP C 0.010UF K | |
| C111 | | | CK73GB1H102K | CHIP C 1000PF K | |
| C112,113 | | | CC73GCH1H100D | CHIP C 10PF D | EE1E3 |
| C112,113 | | | CC73GCH1H100D | CHIP C 10PF D | E4 |
| C114 | | | CK73GB1H103K | CHIP C 0.010UF K | EE1E3 |
| C114 | | | CK73GB1H103K | CHIP C 0.010UF K | E4 |
| C115 | | | CD04AS1C100M | ELECTRO 10UF 16WV | EE1E3 |
| C115 | | | CD04AS1C100M | ELECTRO 10UF 16WV | E4 |
| C116 | | | CC73GCH1H331J | CHIP C 330PF J | EE1E3 |
| C116 | | | CC73GCH1H331J | CHIP C 330PF J | E4 |
| C117 | | | CD04AS1H2R2M | ELECTRO 2.2UF 50WV | EE1E3 |
| C117 | | | CD04AS1H2R2M | ELECTRO 2.2UF 50WV | E4 |
| C201,202 | | | CD04AS1HR47M | ELECTRO 0.47UF 50WV | |

K : KDC-MP225 M : KDC-MP4026 M1 : KDC-MP4026G E : KDC-W4527Y
E1 : KDC-W4527GY E2 : KDC-W427Y E3 : KDC-W4527 E4 : KDC-W4527G

△ Indicates safety critical components.

PARTS LIST

* New parts

Parts without **Parts No.** are not supplied.

Les articles non mentionnés dans le **Parts No.** ne sont pas fournis.

Teile ohne **Parts No.** werden nicht geliefert.

ELECTRIC UNIT (X25-9980-xx, 9982-xx, X34-3172-70)

| Ref. No. | Add | New | Parts No. | Description | Destination | Ref. No. | Add | New | Parts No. | Description | Destination |
|----------|-----|-----|---------------|--------------------------------|-------------|----------|-----|-----|--------------|----------------------|-------------|
| C203 | | | CK73GB1E223K | CHIP C 0.022UF K | | R1 | | | RK73FB2B683J | CHIP R 68K J 1/8W | |
| C203 | | | CK73GB1H223K | CHIP C 0.022UF K | | R2 | | | RK73GB2A393J | CHIP R 39K J 1/10W | |
| C204 | | | CK73GB1H103K | CHIP C 0.010UF K | | R3 | | | RK73GB2A104J | CHIP R 100K J 1/10W | |
| C205 | | | CK73GB1A474K | CHIP C 0.47UF K | | R4 | | | RK73FB2B203J | CHIP R 20K J 1/8W | |
| C206 | | | CC73GCH1H151J | CHIP C 150PF J | | R5,6 | | | RK73GB2A103J | CHIP R 10K J 1/10W | |
| C209 | | | CD04AS1H2R2M | ELECTRO 2.2UF 50WV | | R7 | | | RK73GB2A104J | CHIP R 100K J 1/10W | |
| C210 | | | CK73GB1H103K | CHIP C 0.010UF K | | R8 | | | RD14DB2H332J | SMALL-RD 3.3K J 1/2W | |
| C211 | | | CD04AS1A470M | ELECTRO 47UF 10WV | | R9 | | | RD14BB2C333J | RD 33K J 1/6W | |
| C212,213 | | | CK73GB1C104K | CHIP C 0.10UF K | | R10 | | | RK73GB2A103J | CHIP R 10K J 1/10W | |
| C212,213 | | | CK73GB1H104K | CHIP C 0.10UF K | | R11 | | | RK73GB2A223J | CHIP R 22K J 1/10W | |
| C251-254 | | * | CD04AX1HR22M | ELECTRO 0.22UF 50WV | | R12 | | | RK73GB2A473J | CHIP R 47K J 1/10W | |
| C251-254 | | * | C90-5684-05 | ELECTRO 0.22UF 50WV | | R13 | | | RK73GB2A562J | CHIP R 5.6K J 1/10W | |
| C255 | | | CD04AS1H010M | ELECTRO 1UF 50WV | | R21 | | | RD14BB2C152J | RD 1.5K J 1/6W | |
| C256 | | | CD04AS1A330M | ELECTRO 33UF 10WV | | R22 | | | RD14BB2C472J | RD 4.7K J 1/6W | K |
| C257 | | | CD04AT1H010M | ELECTRO 1UF 50WV | | R22,23 | | | RD14BB2C472J | RD 4.7K J 1/6W | EE1E2 |
| C258 | | | CD04AS1H010M | ELECTRO 1UF 50WV | | R22,23 | | | RD14BB2C472J | RD 4.7K J 1/6W | E3E4M |
| C301,302 | | | CK73FB1C474K | CHIP C 0.47UF K | EE1E3 | R22,23 | | | RD14BB2C472J | RD 4.7K J 1/6W | M1 |
| C301,302 | | | CK73FB1C474K | CHIP C 0.47UF K | E4KMM1 | R24-28 | | | RK73GB2A102J | CHIP R 1.0K J 1/10W | MM1 |
| C303 | | | CD04AS1A470M | ELECTRO 47UF 10WV | EE1E3 | R25-28 | | | RK73GB2A102J | CHIP R 1.0K J 1/10W | EE1E2 |
| C303 | | | CD04AS1A470M | ELECTRO 47UF 10WV | E4KMM1 | R25-28 | | | RK73GB2A102J | CHIP R 1.0K J 1/10W | E3E4K |
| C351,352 | | | CD04AS1C100M | ELECTRO 10UF 16WV | | R31 | | | RD14BB2C103J | RD 10K J 1/6W | EE1E2 |
| C356 | | | CK73FB1H104K | CHIP C 0.10UF K | | R31 | | | RD14BB2C103J | RD 10K J 1/6W | E3E4M |
| C406 | | | CK73GB1A224K | CHIP C 0.22UF K | | R31 | | | RD14BB2C103J | RD 10K J 1/6W | M1 |
| C407,408 | | | CC73GCH1H220J | CHIP C 22PF J | | R32 | | | RK73GB2A223J | CHIP R 22K J 1/10W | |
| C409 | | | CD04AS0J470M | ELECTRO 47UF 6.3WV | | R33 | | | RK73GB2A473J | CHIP R 47K J 1/10W | |
| C410 | | | CK73GB1H103K | CHIP C 0.010UF K | | R41-44 | | | RK73GB2A473J | CHIP R 47K J 1/10W | |
| CN2 | | | E41-0168-05 | FLAT CABLE CONNECTOR | | R51,52 | | | RK73GB2A222J | CHIP R 2.2K J 1/10W | |
| CN3 | | * | E41-0927-05 | PIN ASSY | K | R53-56 | | | RK73GB2A102J | CHIP R 1.0K J 1/10W | |
| CN4 | | * | E41-0941-05 | PIN ASSY | EE1E3 | R58 | | | RK73GB2A222J | CHIP R 2.2K J 1/10W | |
| CN4 | | * | E41-0941-05 | PIN ASSY | E4 | R59 | | | RK73GB2A101J | CHIP R 100 J 1/10W | |
| △ J1 | | | E58-0863-15 | RECTANGULAR RECEPTACLE | | R60 | | | RK73GB2A222J | CHIP R 2.2K J 1/10W | |
| J2 | | | E56-0855-05 | CYLINDRICAL RECEPTACLE | EE1E3 | R61,62 | | | RK73GB2A104J | CHIP R 100K J 1/10W | |
| J2 | | | E56-0855-05 | CYLINDRICAL RECEPTACLE | E4KMM1 | R63 | | | RD14BB2C222J | RD 2.2K J 1/6W | |
| J3 | | * | E63-0898-05 | PIN JACK | | R65 | | | RK73EB2E472J | CHIP R 4.7K J 1/4W | |
| J4 | | * | E04-0326-05 | RF COAXIAL CABLE RECEPTACLE | | R66 | | | RK73GB2A472J | CHIP R 4.7K J 1/10W | |
| J5 | | | E58-0879-05 | RECTANGULAR RECEPTACLE | | R101 | | | RK73GB2A102J | CHIP R 1.0K J 1/10W | |
| P1 | | | E23-0745-05 | TERMINAL | | R102 | | | RK73GB2A471J | CHIP R 470 J 1/10W | |
| L1 | | | L33-1988-05 | CHOKE COIL ASSY | | R103 | | | RK73GB2A472J | CHIP R 4.7K J 1/10W | |
| L3 | | | L33-1977-05 | CHOKE COIL | | R104 | | | RK73GB2A471J | CHIP R 470 J 1/10W | |
| L6-11 | | | L40-4795-91 | SMALL FIXED INDUCTOR (4.7UH,J) | EE1E3 | R105 | | | RK73GB2A472J | CHIP R 4.7K J 1/10W | |
| L6-11 | | | L40-4795-91 | SMALL FIXED INDUCTOR (4.7UH,J) | E4 | R106 | | | RK73GB2A222J | CHIP R 2.2K J 1/10W | |
| L6-8 | | | L40-4795-91 | SMALL FIXED INDUCTOR (4.7UH,J) | E2KMM1 | R111 | | | RK73GB2A472J | CHIP R 4.7K J 1/10W | EE1E3 |
| L10,11 | | | L40-4795-91 | SMALL FIXED INDUCTOR (4.7UH,J) | E2KMM1 | R111 | | | RK73GB2A472J | CHIP R 4.7K J 1/10W | E4 |
| L12 | | | L33-1925-05 | CHOKE COIL | | R112-114 | | | RK73GB2A222J | CHIP R 2.2K J 1/10W | EE1E3 |
| X1 | | | L78-0879-05 | RESONATOR (10.0MHZ) | | R112-114 | | | RK73GB2A222J | CHIP R 2.2K J 1/10W | E4 |
| X2 | | | L77-2793-05 | CRYSTAL RESONATOR (32.768KHZ) | | R152-154 | | | RK73GB2A471J | CHIP R 470 J 1/10W | |
| X3 | | | L77-2002-05 | CRYSTAL RESONATOR (4.332MHZ) | EE1E3 | R160 | | | RK73GB2A222J | CHIP R 2.2K J 1/10W | |
| X3 | | | L77-2002-05 | CRYSTAL RESONATOR (4.332MHZ) | E4 | R161 | | | RK73GB2A225J | CHIP R 2.2M J 1/10W | |
| D | 2D | | N83-3005-46 | PAN HEAD TAPTITE SCREW | | R162 | | | RK73GB2A104J | CHIP R 100K J 1/10W | |
| E | 2D | | N80-3010-46 | PAN HEAD TAPTITE SCREW | | R171 | | | RD14BB2C102J | RD 1.0K J 1/6W | |
| F | 2D | | N83-3020-46 | PAN HEAD TAPTITE SCREW | | R172 | | | RD14BB2C470J | RD 47 J 1/6W | EE1E3 |
| G | 2D | | N86-2606-46 | BINDING HEAD TAPTITE SCREW | | R172 | | | RD14BB2C470J | RD 47 J 1/6W | E4KMM1 |
| | | | | | | R173 | | | RD14BB2C471J | RD 470 J 1/6W | |
| | | | | | | R174 | | | RD14BB2C101J | RD 100 J 1/6W | |
| | | | | | | R175 | | | RD14BB2C471J | RD 470 J 1/6W | |

K : KDC-MP225 M : KDC-MP4026 M1 : KDC-MP4026G E : KDC-W4527Y
E1 : KDC-W4527GY E2 : KDC-W427Y E3 : KDC-W4527 E4 : KDC-W4527G

△ Indicates safety critical components.

PARTS LIST

* New parts

Parts without **Parts No.** are not supplied.

Les articles non mentionnés dans le **Parts No.** ne sont pas fournis.

Teile ohne **Parts No.** werden nicht geliefert.

ELECTRIC UNIT (X25-9980-xx, 9982-xx, X34-3172-70)

| Ref. No. | A d d | N e w | Parts No. | Description | Desti- nation |
|----------|-------------|-------------|--------------|---------------------|------------------|
| R176 | | | RD14BB2C102J | RD 1.0K J 1/6W | |
| R180 | | | RD14BB2C102J | RD 1.0K J 1/6W | |
| R181 | | | RD14BB2C100J | RD 10 J 1/6W | |
| R182 | | | RD14BB2C102J | RD 1.0K J 1/6W | E2 |
| R182,183 | | | RD14BB2C102J | RD 1.0K J 1/6W | EE1E3 |
| R182,183 | | | RD14BB2C102J | RD 1.0K J 1/6W | E4KMM1 |
| R201 | | | RK73GB2A103J | CHIP R 10K J 1/10W | |
| R202-204 | | | RK73GB2A472J | CHIP R 4.7K J 1/10W | |
| R205 | | | RK73GB2A222J | CHIP R 2.2K J 1/10W | |
| R206 | | | RD14BB2C102J | RD 1.0K J 1/6W | EE1E3 |
| R206 | | | RD14BB2C102J | RD 1.0K J 1/6W | E4 |
| R207,208 | | | RK73GB2A471J | CHIP R 470 J 1/10W | |
| R209,210 | | | RK73GB2A472J | CHIP R 4.7K J 1/10W | |
| R251 | | | RK73GB2A333J | CHIP R 33K J 1/10W | |
| R252 | | | RK73GB2A473J | CHIP R 47K J 1/10W | |
| R253 | | | RK73GB2A432J | CHIP R 4.3K J 1/10W | |
| R254 | | | RK73GB2A100J | CHIP R 10 J 1/10W | |
| R255 | | | RK73GB2A221J | CHIP R 220 J 1/10W | |
| R256 | | | RK73GB2A223J | CHIP R 22K J 1/10W | |
| R257 | | | RK73GB2A432J | CHIP R 4.3K J 1/10W | |
| R271 | | | RK73GB2A101J | CHIP R 100 J 1/10W | |
| R272 | | | RK73GB2A103J | CHIP R 10K J 1/10W | |
| R273 | | | RK73GB2A474J | CHIP R 470K J 1/10W | |
| R301,302 | | | RD14BB2C100J | RD 10 J 1/6W | EE1E3 |
| R301,302 | | | RD14BB2C100J | RD 10 J 1/6W | E4KMM1 |
| R303 | | | RD14BB2C101J | RD 100 J 1/6W | EE1E3 |
| R303 | | | RD14BB2C101J | RD 100 J 1/6W | E4KMM1 |
| R304,305 | | | RD14BB2C472J | RD 4.7K J 1/6W | EE1E3 |
| R304,305 | | | RD14BB2C472J | RD 4.7K J 1/6W | E4KMM1 |
| R306 | | * | RD14BB2C4R7J | RD 4.7 J 1/6W | EE1E3 |
| R306 | | * | RD14BB2C4R7J | RD 4.7 J 1/6W | E4KMM1 |
| R307-309 | | | RD14BB2C472J | RD 4.7K J 1/6W | EE1E3 |
| R307-309 | | | RD14BB2C472J | RD 4.7K J 1/6W | E4KMM1 |
| R310,311 | | | RD14BB2C101J | RD 100 J 1/6W | EE1E3 |
| R310,311 | | | RD14BB2C101J | RD 100 J 1/6W | E4KMM1 |
| R312-315 | | | RK73GB2A104J | CHIP R 100K J 1/10W | |
| R351,352 | | | RK73GB2A271J | CHIP R 270 J 1/10W | |
| R355,356 | | | RK73GB2A303J | CHIP R 30K J 1/10W | |
| R357,358 | | | RD14BB2C101J | RD 100 J 1/6W | |
| R374 | | | RD14BB2C102J | RD 1.0K J 1/6W | EE1E3 |
| R374 | | | RD14BB2C102J | RD 1.0K J 1/6W | E4K |
| R407 | | | RK73GB2A241J | CHIP R 240 J 1/10W | |
| R410 | | | RK73GB2A473J | CHIP R 47K J 1/10W | |
| R411 | | | RK73GB2A223J | CHIP R 22K J 1/10W | MM1 |
| R412 | | | RK73GB2A223J | CHIP R 22K J 1/10W | EE1E2 |
| R412 | | | RK73GB2A223J | CHIP R 22K J 1/10W | E3E4K |
| R415 | | | RK73GB2A223J | CHIP R 22K J 1/10W | E2KMM1 |
| R415,416 | | | RK73GB2A223J | CHIP R 22K J 1/10W | EE1E3 |
| R415,416 | | | RK73GB2A223J | CHIP R 22K J 1/10W | E4 |
| R417 | | | RK73GB2A223J | CHIP R 22K J 1/10W | E2KMM1 |
| R419 | | | RK73GB2A223J | CHIP R 22K J 1/10W | |
| R420 | | | RK73GB2A103J | CHIP R 10K J 1/10W | |
| R421 | | | RK73GB2A223J | CHIP R 22K J 1/10W | E2 |
| R422 | | | RK73GB2A223J | CHIP R 22K J 1/10W | EE1E3 |
| R422 | | | RK73GB2A223J | CHIP R 22K J 1/10W | E4KMM1 |

| Ref. No. | A d d | N e w | Parts No. | Description | Desti- nation |
|----------|-------------|-------------|--------------|----------------------|------------------|
| R425 | | | RK73GB2A102J | CHIP R 1.0K J 1/10W | |
| R430,431 | | | RK73GB2A473J | CHIP R 47K J 1/10W | |
| R432 | | | RK73GB2A4R7J | CHIP R 4.7 J 1/10W | |
| W1-3 | | | R92-2053-05 | CHIP R 0 J 1/8W | EE1E3 |
| W1-3 | | | R92-2053-05 | CHIP R 0 J 1/8W | E4 |
| W9-12 | | | R92-2053-05 | CHIP R 0 J 1/8W | |
| W13,14 | | | R92-1252-05 | CHIP R 0 OHM J 1/16W | |
| W15 | | | R92-2053-05 | CHIP R 0 J 1/8W | E2 |
| W15-20 | | | R92-2053-05 | CHIP R 0 J 1/8W | EE1E3 |
| W15-20 | | | R92-2053-05 | CHIP R 0 J 1/8W | E4KMM1 |
| W18-20 | | | R92-2053-05 | CHIP R 0 J 1/8W | E2 |
| W22 | | | R92-1252-05 | CHIP R 0 OHM J 1/16W | E2KMM1 |
| W22-24 | | | R92-1252-05 | CHIP R 0 OHM J 1/16W | EE1E3 |
| W22-24 | | | R92-1252-05 | CHIP R 0 OHM J 1/16W | E4 |
| W24 | | | R92-1252-05 | CHIP R 0 OHM J 1/16W | E2KMM1 |
| W25 | | | R92-2053-05 | CHIP R 0 J 1/8W | |
| W27 | | | R92-1252-05 | CHIP R 0 OHM J 1/16W | |
| W28,29 | | | R92-2053-05 | CHIP R 0 J 1/8W | |
| W30 | | | R92-1252-05 | CHIP R 0 OHM J 1/16W | |
| W31-33 | | | R92-2053-05 | CHIP R 0 J 1/8W | MM1 |
| W32,33 | | | R92-2053-05 | CHIP R 0 J 1/8W | EE1E2 |
| W32,33 | | | R92-2053-05 | CHIP R 0 J 1/8W | E3E4K |
| W34,35 | | | R92-1252-05 | CHIP R 0 OHM J 1/16W | EE1E2 |
| W34,35 | | | R92-1252-05 | CHIP R 0 OHM J 1/16W | E3E4 |
| W35 | | | R92-1252-05 | CHIP R 0 OHM J 1/16W | KMM1 |
| W37 | | | R92-1252-05 | CHIP R 0 OHM J 1/16W | |
| W38 | | | R92-2053-05 | CHIP R 0 J 1/8W | |
| W40,41 | | | R92-2053-05 | CHIP R 0 J 1/8W | |
| D1 | | | S2V60*A | DIODE | |
| D2-4 | | * | MAZ4068N-M | ZENER DIODE | |
| D5 | | | 1SS133 | DIODE | |
| D21 | | * | MAZ4082N-L | ZENER DIODE | |
| D22 | | * | D1F60-5063 | DIODE | |
| D23,24 | | | AM01ZNF | DIODE | EE1E2 |
| D23,24 | | | AM01ZNF | DIODE | E3E4M |
| D23,24 | | | AM01ZNF | DIODE | M1 |
| D24 | | | AM01ZNF | DIODE | K |
| D25 | | * | D1F60-5063 | DIODE | EE1E2 |
| D25 | | * | D1F60-5063 | DIODE | E3E4M |
| D25 | | * | D1F60-5063 | DIODE | M1 |
| D26 | | | DAN202U | DIODE | |
| D31 | | | MAZ4047-M | ZENER DIODE | EE1E2 |
| D31 | | | MAZ4047-M | ZENER DIODE | E3E4M |
| D31 | | | MAZ4047-M | ZENER DIODE | M1 |
| D41 | | | SFPB-54VNF | DIODE | |
| D151 | | * | MAZ4062-L | ZENER DIODE | EE1E3 |
| D151 | | * | MAZ4062-L | ZENER DIODE | E4KMM1 |
| D156 | | | MAZ4120-L | ZENER DIODE | |
| D157-159 | | * | MAZ4062-L | ZENER DIODE | EE1E3 |
| D157-159 | | | MAZ4062-L | ZENER DIODE | E4KMM1 |
| D157,158 | | | MAZ4062-L | ZENER DIODE | E2 |
| D162 | | | MAZ4062-L | ZENER DIODE | |
| D203 | | | DAN202U | DIODE | |
| D251 | | * | D1F60-5063 | DIODE | |

K : KDC-MP225 M : KDC-MP4026 M1: KDC-MP4026G E : KDC-W4527Y
E1 : KDC-W4527GY E2 : KDC-W427Y E3 : KDC-W4527 E4 : KDC-W4527G

△ Indicates safety critical components.

PARTS LIST

* New parts

Parts without **Parts No.** are not supplied.

Les articles non mentionnés dans le **Parts No.** ne sont pas fournis.

Teile ohne **Parts No.** werden nicht geliefert.

ELECTRIC UNIT (X25-9980-xx, 9982-xx, X34-3172-70)

| Ref. No. | Add | New | Parts No. | Description | Destination | Ref. No. | Add | New | Parts No. | Description | Destination |
|-------------------------------------|-----|-----|---------------|--------------------|-------------|----------|-----|-----|---------------|----------------------------------|-------------|
| D252 | | | AM01ZNF | DIODE | | C20 | | | CK73GB1C104K | CHIP C 0.10UF K | |
| D253 | | * | D1F60-5063 | DIODE | | C21 | | | CK73GB1H102K | CHIP C 1000PF K | |
| D254 | | | AM01ZNF | DIODE | | C22,23 | | | CK73GB0J105K | CHIP C 1.0UF K | |
| D255-258 | | * | D1F60-5063 | DIODE | | C24-27 | | | CK73GB1C104K | CHIP C 0.10UF K | |
| D269-271 | | | 1SS133 | DIODE | | C28 | | | CK73FB0J106M | CHIP C 10UF M | |
| D301 | | * | MAZ4062-L | ZENER DIODE | EE1E3 | C29 | | | CK73GB1C104K | CHIP C 0.10UF K | |
| D301 | | * | MAZ4062-L | ZENER DIODE | E4KMM1 | C30 | | | CK73GB1H152K | CHIP C 1500PF K | |
| D307,308 | | * | MAZ4062-L | ZENER DIODE | EE1E3 | C31 | | | CC73GCH1H470J | CHIP C 47PF J | |
| D307,308 | | * | MAZ4062-L | ZENER DIODE | E4KMM1 | C32,33 | | | CK73GB1C104K | CHIP C 0.10UF K | |
| D309,310 | | * | MAZ4068N-M | ZENER DIODE | EE1E3 | C34 | | | CC73GCH1H560J | CHIP C 56PF J | |
| D309,310 | | * | MAZ4068N-M | ZENER DIODE | E4KMM1 | C35,36 | | | CK73GB1C104K | CHIP C 0.10UF K | |
| D311 | | * | MAZ4062-L | ZENER DIODE | EE1E3 | C37 | | | CK73GB1H102K | CHIP C 1000PF K | |
| D311 | | * | MAZ4062-L | ZENER DIODE | E4KMM1 | C38 | | | CK73GB1H682K | CHIP C 6800PF K | |
| D401 | | | DAN202U | DIODE | | C39 | | | CK73GB1C104K | CHIP C 0.10UF K | |
| IC1 | | | 784225GC231A | MICROCONTROLLER IC | | C41 | | | CK73GB1A334K | CHIP C 0.33UF K | |
| IC2 | | * | E-TDA7407D | ANALOGUE IC | | C42-45 | | | CK73GB1C104K | CHIP C 0.10UF K | |
| IC3 | | | BA4911-V4 | ANALOGUE IC | | C46 | | | CK73GB1H682K | CHIP C 6800PF K | |
| IC4 | | * | E-TDA7560 | ANALOGUE IC | | C47 | | | CK73GB1C104K | CHIP C 0.10UF K | |
| IC6 | | * | SN74HC02NSR | MOS-IC | | C48 | | | CC73GCH1H040C | CHIP C 4.0PF C | |
| IC7 | | | E-TDA7479AD | ANALOGUE IC | EE1E3 | C49 | | | CK73GB1H332K | CHIP C 3300PF K | |
| IC7 | | | E-TDA7479AD | ANALOGUE IC | E4 | C50 | | | CK73GB1C104K | CHIP C 0.10UF K | |
| IC8 | | | PST3436UL-E | MOS-IC | | C51 | | | CC73GCH1H330J | CHIP C 33PF J | |
| IC9 | | * | SI-8050JF3NF | ANALOGUE IC | | C52 | | | CK73FB1A225K | CHIP C 2.2UF K | |
| Q1-3 | | | 2SC4081 | TRANSISTOR | | C53 | | | CK73GB0J105K | CHIP C 1.0UF K | |
| Q4 | | | 2SA1036K | TRANSISTOR | | C54,55 | | | CK73GB1H103K | CHIP C 0.010UF K | |
| Q21 | | | 2SB1565(E,F) | TRANSISTOR | | C56,57 | | | CK73GB1H331K | CHIP C 330PF K | |
| Q22 | | | UMC2N | TRANSISTOR | EE1E2 | C58 | | | CK73GB1H472K | CHIP C 4700PF K | |
| Q22 | | | UMC2N | TRANSISTOR | E3E4K | C59-63 | | | CK73GB1H152K | CHIP C 1500PF K | |
| Q22,23 | | | UMC2N | TRANSISTOR | MM1 | C64 | | | CK73GB1C104K | CHIP C 0.10UF K | |
| Q24 | | | 2SD1858 | TRANSISTOR | | C66 | | | CC73GCH1H120J | CHIP C 12PF J | |
| Q41 | | | 2SC4081 | TRANSISTOR | | C67 | | | CC73GCH1H180J | CHIP C 18PF J | |
| Q101 | | | DTC143TUA | DIGITAL TRANSISTOR | EE1E3 | C68 | | | CK73GB1H103K | CHIP C 0.010UF K | |
| Q101 | | | DTC143TUA | DIGITAL TRANSISTOR | E4 | C69 | | | CK73FB1A225K | CHIP C 2.2UF K | |
| Q151 | | | DTA114YUA | DIGITAL TRANSISTOR | | C70 | | | CK73FB1A105K | CHIP C 1.0UF K | |
| Q201 | | | DTC143TUA | DIGITAL TRANSISTOR | | C71 | | | CK73FB0J106M | CHIP C 10UF M | |
| Q252 | | | 2SA1576A | TRANSISTOR | | C72 | | | CK73GB1H102K | CHIP C 1000PF K | |
| Q350 | | | DTA124EUA | DIGITAL TRANSISTOR | | CN1 | | | E41-2083-05 | FLAT CABLE CONNECTOR | |
| Q351,352 | | | DTC143TUA | DIGITAL TRANSISTOR | | CN2 | | | E41-2068-05 | FLAT CABLE CONNECTOR | |
| Q401 | | | 2SC4081 | TRANSISTOR | | CN2 | | | E41-2085-05 | FLAT CABLE CONNECTOR | |
| TH1 | | | PRF21BE471QB2 | POSITIVE RESISTOR | | L1,2 | | | L92-0386-05 | CHIP FERRITE | |
| A1 | | | X86-3760-11 | FRONT-END UNIT | KMM1 | X1 | | | L77-2808-05 | CRYSTAL RESONATOR (16.897849MHZ) | |
| A1 | | | X86-3762-70 | FRONT-END UNIT | EE1E2 | X2 | | | L78-0896-05 | RESONATOR (16.00MHZ) | |
| A1 | | * | X86-3762-71 | FRONT-END UNIT | E3E4 | | | | | | |
| CD PLAYER UNIT (X32-5500-00) | | | | | | | | | | | |
| C1,2 | | | CK73GB1H222K | CHIP C 2200PF K | | CP1 | | | RK74GA1J104J | CHIP-COM 100K J 1/16W | |
| C3,4 | | | CK73GB0J105K | CHIP C 1.0UF K | | CP2,3 | | | RK74GA1J101J | CHIP-COM 100 J 1/16W | |
| C5 | | | CK73GB1C104K | CHIP C 0.10UF K | | CP4 | | | RK74GA1J103J | CHIP-COM 10K J 1/16W | |
| C6 | | | CK73GB1H103K | CHIP C 0.010UF K | | CP5 | | | RK74GA1J102J | CHIP-COM 1.0K J 1/16W | |
| C7-9 | | | CK73GB0J105K | CHIP C 1.0UF K | | CP6 | | | RK74GA1J104J | CHIP-COM 100K J 1/16W | |
| C10-15 | | | CK73GB1C104K | CHIP C 0.10UF K | | CP7 | | | RK74GB1J102J | CHIP-COM 1.0K J 1/16W | |
| C16 | | | CK73FB0J475K | CHIP C 4.7UF K | | CP8 | | | RK74GA1J102J | CHIP-COM 1.0K J 1/16W | |
| C17 | | | CK73FB0J106M | CHIP C 10UF M | | CP9 | | | RK74GB1J101J | CHIP-COM 100 J 1/16W | |
| C18 | | | CK73GB1C104K | CHIP C 0.10UF K | | CP10 | | | RK74GB1J103J | CHIP-COM 10K J 1/16W | |
| C19 | | | CK73FB0J475K | CHIP C 4.7UF K | | CP11 | | | RK74GB1J472J | CHIP-COM 4.7K J 1/16W | |
| | | | | | | CP12 | | | RK74GA1J104J | CHIP-COM 100K J 1/16W | |

K : KDC-MP225 M : KDC-MP4026 M1 : KDC-MP4026G E : KDC-W4527Y
E1 : KDC-W4527GY E2 : KDC-W427Y E3 : KDC-W4527 E4 : KDC-W4527G

△ Indicates safety critical components.

PARTS LIST

* New parts

Parts without **Parts No.** are not supplied.

Les articles non mentionnés dans le **Parts No.** ne sont pas fournis.

Teile ohne **Parts No.** werden nicht geliefert.

CD PLAYER UNIT (X32-5500-00)

| Ref. No. | A d d | N e w | Parts No. | Description | Desti- nation |
|----------|-------------|-------------|--------------|-----------------------|------------------|
| CP13,14 | | | RK74GB1J104J | CHIP-COM 100K J 1/16W | |
| CP15 | | | RK74GA1J104J | CHIP-COM 100K J 1/16W | |
| CP16 | | | RK74GB1J222J | CHIP-COM 2.2K J 1/16W | |
| R1 | | | RK73GB2A100J | CHIP R 10 J 1/10W | |
| R2 | | | R92-3494-05 | CHIP R 5.6 J 1/2W | |
| R3,4 | | | RK73FB2B331J | CHIP R 330 J 1/8W | |
| R5 | | | RK73GB2A101J | CHIP R 100 J 1/10W | |
| R6 | | | RN73GH1J223D | CHIP R 22K D 1/16W | |
| R7 | | | RK73GB2A104J | CHIP R 100K J 1/10W | |
| R8 | | | RN73GH1J393D | CHIP R 39K D 1/16W | |
| R9 | | | RK73GB2A104J | CHIP R 100K J 1/10W | |
| R10 | | | RK73GB2A101J | CHIP R 100 J 1/10W | |
| R11,12 | | | RK73GB2A104J | CHIP R 100K J 1/10W | |
| R13 | | | RK73GB2A102J | CHIP R 1.0K J 1/10W | |
| R14-17 | | | RK73GB2A104J | CHIP R 100K J 1/10W | |
| R18 | | | RK73GB2A101J | CHIP R 100 J 1/10W | |
| R21-23 | | | RK73GB2A103J | CHIP R 10K J 1/10W | |
| R24,25 | | | RK73GB2A4R7J | CHIP R 4.7 J 1/10W | |
| R27 | | | RK73GB2A104J | CHIP R 100K J 1/10W | |
| R28 | | | RK73GB2A103J | CHIP R 10K J 1/10W | |
| R29 | | | RK73GB2A102J | CHIP R 1.0K J 1/10W | |
| R31-33 | | | RK73GB2A104J | CHIP R 100K J 1/10W | |
| R34 | | | RK73GB2A472J | CHIP R 4.7K J 1/10W | |
| R35 | | | RK73GB2A104J | CHIP R 100K J 1/10W | |
| R36 | | | RK73FB2B4R7J | CHIP R 4.7 J 1/8W | |
| R37 | | | RK73GB2A103J | CHIP R 10K J 1/10W | |
| R38 | | | RK73GB2A221J | CHIP R 220 J 1/10W | |
| R39 | | | RK73GB2A152J | CHIP R 1.5K J 1/10W | |
| R40 | | | RK73GB2A274J | CHIP R 270K J 1/10W | |
| R42 | | | RK73GB2A101J | CHIP R 100 J 1/10W | |
| R43 | | | RK73GB2A393J | CHIP R 39K J 1/10W | |
| R44,45 | | | RK73GB2A302J | CHIP R 3.0K J 1/10W | |
| R46 | | | RK73GB2A105J | CHIP R 1.0M J 1/10W | |
| R47 | | | RK73GB2A104J | CHIP R 100K J 1/10W | |
| R48,49 | | | RK73GB2A331J | CHIP R 330 J 1/10W | |
| R50 | | | RK73GB2A101J | CHIP R 100 J 1/10W | |
| R51 | | | RK73GB2A392J | CHIP R 3.9K J 1/10W | |
| R52 | | | RK73GB2A163J | CHIP R 16K J 1/10W | |
| R53 | | | RK73GB2A123J | CHIP R 12K J 1/10W | |
| R54 | | | RK73GB2A333J | CHIP R 33K J 1/10W | |
| R55 | | | RK73GB2A103J | CHIP R 10K J 1/10W | |
| R56 | | | RK73GB2A123J | CHIP R 12K J 1/10W | |
| R57,58 | | | RK73GB2A133J | CHIP R 13K J 1/10W | |
| R59 | | | RK73GB2A472J | CHIP R 4.7K J 1/10W | |
| R60 | | | RK73GB2A123J | CHIP R 12K J 1/10W | |
| R61 | | | RK73GB2A183J | CHIP R 18K J 1/10W | |
| R62 | | | RK73GB2A432J | CHIP R 4.3K J 1/10W | |
| R63 | | | RK73GB2A133J | CHIP R 13K J 1/10W | |
| R64 | | | RK73GB2A241J | CHIP R 240 J 1/10W | |
| R65 | | | RK73GB2A104J | CHIP R 100K J 1/10W | |
| R66 | | | RK73GB2A472J | CHIP R 4.7K J 1/10W | |
| R67 | | | RK73GB2A222J | CHIP R 2.2K J 1/10W | |
| R68,69 | | | RK73GB2A104J | CHIP R 100K J 1/10W | |
| R70 | | | RK73GB2A102J | CHIP R 1.0K J 1/10W | |

| Ref. No. | A d d | N e w | Parts No. | Description | Desti- nation |
|--|-------------|-------------|----------------|--------------------|------------------|
| S1,2 | | | S68-0863-05 | PUSH SWITCH | |
| S3 | | | S68-0862-05 | PUSH SWITCH | |
| D2 | | * | DA204UF | DIODE | |
| D3 | | | DAN202UF | DIODE | |
| IC1 | | | 91CW12AFG-4VF6 | MICROCONTROLLER IC | |
| IC2 | | | UPD63712GC | MOS-IC | |
| IC3 | | | TC94A20F-010 | MOS-IC | |
| IC4 | | | BA5824FP-F | ANALOGUE IC | |
| IC5 | | | NJM2880U133 | ANALOGUE IC | |
| IC5 | | | NJM2880U33 | ANALOGUE IC | |
| IC6 | | | S-1112B33MCG | ANALOGUE IC | |
| IC6 | | | XC6219B332MR | ANALOGUE IC | |
| IC7 | | | S-1112B25MCG | ANALOGUE IC | |
| IC7 | | | XC6219B252MR | ANALOGUE IC | |
| IC8 | | | TC7SH08FU | MOS-IC | |
| IC9 | | | TAR5S33-F | ANALOGUE IC | |
| Q1 | | * | 2SK3018F | FET | |
| Q3 | | | UMD9N | TRANSISTOR | |
| Q4 | | * | 2SK3018F | FET | |
| Q5 | | | UMD9N | TRANSISTOR | |
| Q6 | | | UMD12N | TRANSISTOR | |
| Q7 | | * | DTC124EUAF | DIGITAL TRANSISTOR | |
| Q8 | | | 2SB0970 | TRANSISTOR | |
| Q9,10 | | | DTC114YUAF | DIGITAL TRANSISTOR | |
| MECHANISM ASSY (X92-4850-00/01) | | | | | |
| 2 | | 1B | A10-4827-22 | CHASSIS | |
| 5 | | 1B | * D10-4576-63 | ARM ASS'Y | |
| 8 | | 2A | D10-4579-13 | LEVER ASS'Y | |
| 10 | | 3A | D10-4581-13 | ARM | |
| 11 | | 2A | D10-4582-13 | ARM | |
| 12 | | 3A | D10-4583-03 | ARM | |
| 13 | | 3A | D10-4584-03 | ARM | |
| 14 | | 3B | D10-4585-03 | ARM | |
| 15 | | 2A | D10-4586-13 | SLIDER | |
| 16 | | 3B | D10-4587-32 | SLIDER | |
| 17 | | 3B | D10-4588-13 | SLIDER | |
| 18 | | 3B | D10-4595-04 | ARM | |
| 19 | | 3B | D10-4596-14 | ARM | |
| 22 | | 2A | D13-2151-04 | GEAR | |
| 23 | | 2B | D13-2152-04 | GEAR | |
| 24 | | 3B | D13-2153-04 | GEAR | |
| 25 | | 3B | D13-2154-04 | GEAR | |
| 26 | | 3B | D13-2155-04 | WORM | |
| 27 | | 3B | D13-2156-14 | GEAR | |
| 28 | | 3B | D13-2157-04 | GEAR | |
| 29 | | 3B | D13-2158-04 | GEAR | |
| 30 | | 3B | D13-2168-04 | GEAR | |
| 31 | | 3B | D13-2171-04 | GEAR | |
| 32 | | 2B | D13-2172-03 | RACK (GEAR) | |
| 33 | | 2A | D14-0759-04 | ROLLER | |
| 35 | | 2B | D21-2382-04 | SHAFT | |
| 36 | | 1A | D23-0954-04 | RETAINER | |
| 37 | | 1B | D39-0246-05 | DAMPER | |

K : KDC-MP225 M : KDC-MP4026 M1 : KDC-MP4026G E : KDC-W4527Y
E1 : KDC-W4527GY E2 : KDC-W427Y E3 : KDC-W4527 E4 : KDC-W4527G

△ Indicates safety critical components.

PARTS LIST

* New parts

Parts without **Parts No.** are not supplied.

Les articles non mentionnés dans le **Parts No.** ne sont pas fournis.

Teile ohne **Parts No.** werden nicht geliefert.

MECHANISM ASSY (X92-4850-00/01)

| Ref. No. | A d d | N e w | Parts No. | Description | Desti- nation | Ref. No. | A d d | N e w | Parts No. | Description | Desti- nation |
|----------|-------------|-------------|-------------|-------------------------------|------------------|----------|-------------|-------------|-----------|-------------|------------------|
| 38 | 2B | | G01-3072-04 | EXTENSION SPRING | | | | | | | |
| 39 | 2A | | G01-3073-04 | TORSION COIL SPRING | | | | | | | |
| 40 | 2A | | G01-3074-04 | EXTENSION SPRING | | | | | | | |
| 41 | 1B | | G01-3075-14 | EXTENSION SPRING | | | | | | | |
| 42 | 2A | | G01-3076-04 | EXTENSION SPRING | | | | | | | |
| 43 | 1B | | G01-3077-14 | EXTENSION SPRING | | | | | | | |
| 44 | 2B | | G02-1399-04 | FLAT SPRING | | | | | | | |
| 45 | 2B | | G02-1408-04 | FLAT SPRING | | | | | | | |
| 51 | 1A | | J21-9676-22 | MOUNTING HARDWARE | | | | | | | |
| 52 | 3B | | J21-9677-12 | MOUNTING HARDWARE | | | | | | | |
| 53 | 1B | | J21-9678-13 | MOUNTING HARDWARE | | | | | | | |
| 55 | 1A | | J90-1001-11 | GUIDE | | | | | | | |
| 56 | 1B | | J90-1023-03 | GUIDE | | | | | | | |
| DFPC1 | 3A | | J84-0141-05 | FLEXIBLE PRINTED WIRING BOARD | | | | | | | |
| A | 2B | | N09-4460-05 | TAPTITE SCREW | | | | | | | |
| B | 1B | | N09-4472-15 | MACHINE SCREW | | | | | | | |
| C | 2B | | N09-6004-05 | MACHINE SCREW | | | | | | | |
| E | 2B | | N09-6007-05 | MACHINE SCREW | | | | | | | |
| F | 1A | | N09-6051-05 | TAPTITE SCREW | | | | | | | |
| G | 2A | | N19-2163-04 | FLAT WASHER | | | | | | | |
| H | 1B | | N39-2020-46 | PAN HEAD MACHIN SCREW | | | | | | | |
| J | 1B | | N09-6108-05 | MACHINE SCREW | | | | | | | |
| DM1 | 3B | | T42-1066-04 | DC MOTOR ASSY (SPINDLE) | | | | | | | |
| DM2 | 3B | | T42-1067-04 | DC MOTOR ASSY (LOADING) | | | | | | | |
| DPU1 | 2B | | X93-2010-00 | OPTICAL PICKUP ASS'Y | | | | | | | |

K : KDC-MP225 M : KDC-MP4026 M1 : KDC-MP4026G E : KDC-W4527Y
E1 : KDC-W4527GY E2 : KDC-W427Y E3 : KDC-W4527 E4 : KDC-W4527G

△ Indicates safety critical components.

SPECIFICATIONS

KDC-MP225, MP4026/G

● FM

Frequency Range (Frequency step)

| | |
|--------------------|---------------------------|
| KDC-MP225 | 87.9MHz~107.9MHz (200kHz) |
| KDC-MP4026/G | 87.5MHz~108.0MHz (50kHz) |
| | 87.9MHz~107.9MHz (200kHz) |

| | |
|---------------------------------------|---------------------|
| Channel Space Selection | 50k/200kHz |
| Usable Sensitivity (S/N 30dB) | 9.3dBf (0.8μV/75Ω) |
| Quieting Sensitivity (S/N 50dB) | 15.2dBf (1.6μV/75Ω) |
| Frequency Response (±3.0dB) | 30Hz~15kHz |
| S/N | 70dB (MONO) |
| Selectivity (DIN) | ≥80dB (±400kHz) |
| Stereo Separation | 40dB (1kHz) |

● AM

Frequency Range (Frequency step)

| | |
|--------------------|------------------------|
| KDC-MP225 | 530kHz~1700kHz (10kHz) |
| KDC-MP4026/G | 531kHz~1611kHz (9kHz) |
| | 530kHz~1700kHz (10kHz) |

| | |
|-------------------------------------|--------------|
| Channel Space Selection | 9k/10kHz |
| Usable Sensitivity (S/N 20dB) | 28dBμ (25μV) |

● CD

| | |
|--------------------------------------|---------------------------------------|
| Laser Diode | GaAlAs |
| Digital Filter (D/A) | 8 Times OverSampling |
| D/A Converter | 1 Bit |
| Spindle Speed (rpm) | 1000~400 (CLV · 2 times) |
| Wow & Flutter | Below Mesurable Limit |
| Frequency Response | 10Hz~20kHz (±1dB) |
| Total Harmonic Distortion | 0.01% (1kHz) |
| S/N Ratio | 105dB (1kHz) |
| Dynamic Range | 93dB |
| Channel Separation | 85dB |
| MP3 Decode | Compliant with MPEG-1/2 Audio Layer-3 |
| WMA Decode | Compliant with WINDOWS MEDIA AUDIO |
| ● Preout Level/Load-Unbalanced | 2000mV/10kΩ (CD/CD-CH) |
| ● Preout Impedance | ≤600Ω |

● AMP

| | |
|--|---------|
| Maximum Power | 50W x 4 |
| Full Bandwidth Power (at less than 1% THD) | 22W x 4 |

● TONE

| | |
|--------------|------------|
| Bass | 100Hz±10dB |
| Middle | 1kHz±10dB |
| Treble | 10kHz±10dB |

● GENERAL

| | |
|--|-----------------------------|
| Operating voltage (11~16V allowable) | 14.4V |
| Current Consumption | 10A |
| Installation Size (W x H x D) | 182 x 53 x 155 mm |
| | 7-3/16 x 2-1/16 x 6-1/10 in |
| Weight | 1.40kg (3.1lbs) |

KDC-W4527/G/GY/Y, W427Y

● FM

| | |
|---------------------------------------|--------------------------|
| Frequency Range (Frequency step) | 87.5MHz~108.0MHz (50kHz) |
| Usable Sensitivity (S/N 26dB) | 0.7μV/75Ω |
| Quieting Sensitivity (S/N 46dB) | 1.6μV/75Ω |
| Frequency Response (±3.0dB) | 30Hz~15kHz |
| S/N | 65dB (MONO) |
| Selectivity (DIN) | ≥80dB (±400kHz) |
| Stereo Separation | 35dB (1kHz) |

● MW (AM)

| | |
|--|-----------------------|
| Frequency Range (Frequency step) | 531kHz~1611kHz (9kHz) |
| Usable Sensitivity (S/N 20dB) | 25μV |

● LW

| | |
|-------------------------------------|---------------|
| Frequency range | 153kHz~281kHz |
| Usable Sensitivity (S/N 20dB) | 45μV |

● CD

| | |
|---------------------------------|---------------------------------------|
| Laser Diode | GaAlAs |
| Digital Filter (D/A) | 8 Times OverSampling |
| D/A Converter | 1 Bit |
| Spindle Speed (rpm) | 1000~400 (CLV · 2 times) |
| Wow & Flutter | Below Mesurable Limit |
| Frequency Response | 10Hz~20kHz (±1dB) |
| Total Harmonic Distortion | 0.01% (1kHz) |
| S/N Ratio | 105dB (1kHz) |
| Dynamic Range | 93dB |
| Channel Separation | 85dB |
| MP3 Decode | Compliant with MPEG-1/2 Audio Layer-3 |
| WMA Decode | Compliant with WINDOWS MEDIA AUDIO |

● Preout Level/Load-Unbalanced

2000mV/10kΩ (CD/CD-CH)

● Preout Impedance

≤600Ω

● AMP

| | |
|------------------------------|---------|
| Maximum Power | 50W x 4 |
| PWR DIN45324, +B=14.4V | 30W x 4 |

● TONE

Bass

100Hz±10dB

Middle

1kHz±10dB

Treble

10kHz±10dB

● GENERAL

| | |
|--|-------|
| Operating voltage (11~16V allowable) | 14.4V |
| Current Consumption | 10A |

Installation Size (W x H x D)

182 x 53 x 155 mm

Weight

1.40kg (3.1lbs)

KENWOOD follows a policy of continuous advancements in development. For this reason specifications may be changed without notice.

KENWOOD CORPORATION

2967-3, Ishikawa-machi, Hachioji-shi, Tokyo, 192-8525 Japan

KENWOOD USA CORPORATION

P.O. Box 22745, 2201 East Dominguez Street, Long Beach, CA 90801-5745, U.S.A.

KENWOOD ELECTRONICS CANADA INC.

6070 Kestrel Road, Mississauga, Ontario, Canada L5T 1S8

KENWOOD ELECTRONICS LATIN AMERICA S.A.

P.O. Box 55-2791 Paitilla, Plaza Credicorp Bank Panama,

Piso 9, Oficina 901, Calle 50, Panama, Rep. de Panama

KENWOOD ELECTRONICS BRASIL LTDA.

Alameda Ministro Rocha Azevedo No. 456,
Edifício Jaú, 10o Andar, Cerqueira César, Cep 0140-001,
São Paulo-SP-Brasil

KENWOOD ELECTRONICS UK LIMITED

Kenwood House, Dwight Road, Watford, Herts, WD18 9EB, United Kingdom

KENWOOD ELECTRONICS DEUTSCHLAND GMBH

Rembrücker-Str. 15, 63150 Heusenstamm, Germany

KENWOOD ELECTRONICS FRANCE S.A.

13, Boulevard Ney, 75018 Paris, France

KENWOOD ELECTRONICS BELGIUM N.V.

Leuvensesteenweg 248 J, 1800 Vilvoorde, Belgium

KENWOOD ELECTRONICS ITALIA S.p.A.

Via G. Sirtori 7/9, 20129 Milano, Italy

KENWOOD IBÉRICA S.A.

Bolivia, 239-08020 Barcelona, Spain

KENWOOD ELECTRONICS AUSTRALIA PTY. LTD. (A.C.N. 001 499 074)

16 Giffnock Avenue, Centrecourt Estate, North Ryde,

N.S.W. 2113, Australia

KENWOOD ELECTRONICS (HONG KONG) LTD.

Unit 3712-3724, Level 37, Tower 1, Metroplaza, 223 Hing Fong Road, Kwai Fong, N.T.,

Hong Kong

KENWOOD ELECTRONICS GULF FZE

P.O. Box 61318, Jebel Ali, Dubai, U.A.E.

KENWOOD ELECTRONICS (THAILAND) CO., LTD.

2019 New Pechburi Road, Bangkok, Huaykwang, Bangkok, 10320 Thailand

KENWOOD ELECTRONICS SINGAPORE PTE. LTD.

1 Genting Lane, #07-00, Kenwood Building, Singapore, 349544

KENWOOD ELECTRONICS (MALAYSIA) SDN BHD

#4.01 Level 4, Wisma Academy Lot 4A, Jalan 19/1, 46300 Petaling Jaya, Selangor Darul Ehsan, Malaysia